



Humanscale Pricing and Specification Guide

CANADA Pricing Effective March 1, 2020



Humanscale®

Shipping Guidelines & Quick Ship Program

In an effort to enhance our service to our customers, we are revising our lead times. The guide below offers a simple way to determine the lead time of any given configuration of our seating options. By standardizing our lead times, we are able to deliver products swiftly to our customers and offer certainty about the turnaround time for their orders.

All configurations follow fabric lead times. If two textiles are selected that have different lead times, the lead time for the order will be dictated by the textile with the longest lead time. For example, if you select Pinstripe mesh and Ginkgo, the lead time for your chair(s) will be six weeks.

SEATING LEAD TIME	FABRIC	MAXIMUM ORDER QUANTITY*
2 weeks	All QuickShip SKUs	50 chairs
4 weeks	Monofilament Stripe Pinstripe Dash Corde 4 Fourtis	150 chairs
6 weeks	Silver Check Lotus Ginkgo All Leathers Catena Sensuede	100 chairs

*For any amount over the maximum, please contact your local rep to confirm the lead times.

Monitor Arm Lead Times

	QUICK SHIP	CONFIGURABLES
1 - 25 Units	2-Days	5-Days
26 - 100 Units	2-Days	10-Days
101 - 400 Units	10-Days	20-Days

Quick Ship Program for Seating

FREEDOM QUICK SHIP SKUs

Adjustable Duron Arms, Graphite Frame, Standard Seat Pan, Standard 5" Cylinder, Standard 3" Casters for carpeted floors, Standard Foams and Plastics, Standard Base, Individually Boxed or Blanket Wrapped

Freedom Headrest - \$1,767

F211GCF10	Corde 4 Black
-----------	---------------

Freedom Task - \$1,502

F111GCF10	Corde 4 Black
F111GFT10	Fourtis Black
F111GFT12	Fourtis Granite

LIBERTY QUICK SHIP SKUs

Adjustable Duron Arms, Black Frame with Black Trim, Standard Seat Pan, Standard 5" Cylinder, Standard 3" Casters for Carpeted Floors, Standard Foams and Plastics, Standard Base, Individually Boxed or Blanket Wrapped

Liberty Task - \$1,495

L111BM10CF10	Monofilament Stripe Black Back, Corde 4 Black Seat
L111BM10FT10	Monofilament Stripe Black Back, Fourtis Black Seat

Liberty Side - \$768

L406BM10M10	Monofilament Stripe Black Back, Monofilament Stripe Black Seat
-------------	--

TREA QUICK SHIP SKUs

\$736

T100WWW-G--	Four Legs, White back, White Seat, Glides
-------------	---

\$1,136

T300WWW-C--	Four Star Base, White back, White Seat, Hard Casters
-------------	--

DIFFRIENT SMART QUICK SHIP SKUs

Adjustable Duron Arms, Standard Seat Pan, Standard 5" Cylinder, Standard Casters for Carpeted Floors, Standard Foams and Plastics, Individually Boxed or Blanket Wrapped

Diffrient Smart - \$1,649

S413BM10CF10	Black Frame with Black Trim, Monofilament Stripe Black Back, Corde 4 Black Seat
S413BM10FT10	Black Frame with Black Trim, Monofilament Stripe Black Back, Fourtis Black Seat
S413DN10CF10	Dark Gray Frame with Polished Aluminum Trim, Monofilament Stripe Black Back, Fourtis Black Seat

DIFFRIENT WORLD QUICK SHIP SKUs

Height-Adjustable Duron Arms, Black Frame, Standard 5" Cylinder, Standard Hard Casters, Standard Base, Individually Boxed or Blanket Wrapped

Diffrient World - \$1,295

W11BJ10J10	Catena Black Back, Catena Black Seat
W11BN10N10	Pinstripe Black Back, Pinstripe Black Seat

Diffrient World - \$1,389

W11BM10CF10	Monofilament Stripe Black Back, Corde 4 Black Seat
-------------	--



Building Your Product Code Using This Price Guide



W 1 6 W M 14 CF 57 - - - -

Monofilament Stripe Mesh in Platinum chosen from page 46

Corde 4 Textile in Navy chosen from page 44

COMPONENT	CODE	BASE MODEL PRICE	\$1,066
LINE	(W)	Diffrient World Chair	-
STYLE	(1)	Conference/Task Chair	-
ARMRESTS	0	Armless	-
	(6)	Fixed Duron Arms	(\$108)
	7	Fixed Duron Arms with Matching Textile - Available with textile covered seat only	\$141
	1	Height Adjustable Duron Arms	\$229
	2	Height Adjustable Duron Arms with Matching Textile - Available with textile covered seat only	\$264
FRAME COLOR	B	Black	-
	(W)	White	(\$27)
	V	Gray	-
BACKREST MESH STYLE	(M)	See page 43 and textile Samples for mesh color options and codes	-
BACKREST MESH COLOR	(14)	See page 43 and textile Samples for mesh color options and codes	-
SEAT MESH/ TEXTILE STYLE		Mesh (A,N,J)	-
	(CF)	Textile Grade 1 (FT,K,CF)	(\$96)
		Textile Grade 2 (F)	\$151
		Textile Grade 3 (D)	\$204
SEAT MESH/ TEXTILE COLOR	(57)	See pages 41-43 and textile samples for mesh color options and codes	-
CYLINDER	(-)	Standard 5"	(-)
	A	3" Return to Height Cylinder	\$58
	E	5" Return to Height Cylinder	\$58
	L	Low 3.75"	\$35
	F	High 8" w/18" Foot Ring	\$150
	R	High 8" Cylinder with 21" Foot Ring	\$206
	X	Extra-high 10" Cylinder w/ 18" Foot Ring	\$150
	Z	Extra-high 10" Cylinder w/ 21" Foot Ring	\$206
CASTERS/GLIDES	(-)	Standard Hard Casters	(-)
	S	Soft Casters	\$23
	G	Glides	\$29
FIREPROOFING	-	Standard Plastics and Foams	-
	C	CAL133 Label Applied to Underside of Chair	-
BASE	(-)	Standard	(-)
	A	Polished Aluminum Base	\$188
SHIPPING	(-)	Individually Boxed	(-)
	B	Blanket Wrapped - See Terms and Conditions for minimum order requirements	-

Total: **\$1,299**



FREEDOM

With Freedom, the knobs, levers and locks of current-generation task chairs have been replaced by intelligent mechanisms that automatically support the body as it moves from task to task. By minimizing the need for manual controls, Freedom maximizes natural, spontaneous movement, which is essential for a healthy body and a comfortable day's work.

Freedom's many features can be enjoyed with virtually no effort.



FREEDOM Features & Characteristics



DYNAMIC HEADREST

- Position-sensitive headrest moves into place when you recline and out of the way when you sit upright
- 5" vertical adjustment to fit all users
- Moves in the natural arc of head/neck for perfect support through range of recline
- Contoured to cradle the head and neck in comfort

SELF-ADJUSTING RECLINE

- Intelligent counter-balance recline mechanism automatically provides the right amount of support through the full range of recline motion, regardless of user size and weight
- No tension springs to adjust
- No recline locks to set / release
- During recline, the angle between torso and legs opens up for better body function
- User maintains near-constant eye level during recline

PIVOTING BACKREST

- Extra motion of the backrest during recline automatically adjusts to the changing needs of the spine
- Provides up to 1" additional lumbar support when needed

SYNCHRONOUS ARMRESTS

- Revolutionary armrests move in tandem to eliminate uneven arm positioning
- Natural lift and release action for immediate repositioning without buttons or locks
- 6" range of vertical motion to accommodate all users and tasks
- Can be positioned below thigh level for close to table or desk work
- Attached to backrest so arms stay in same relation to body during recline
- Duro arm pad for durability and comfort

CUSHIONS

- Carefully sculpted to match body contours
- Increased contact area reduces pressure points
- Modular for easy replacement
- Molded polyurethane foam cushions
- Optional arm pads and seat have top layer of Technogel®
- Upholstered with a variety of materials customized to the unique form of the cushion

GEL SEAT CUSHION

- Non-degradable, non-compressible Technogel® layer on top of foam core
- Provides maximum pressure distribution
- Offers unmatched, long-term comfort

CYLINDER OPTIONS

- Provides seat height range that accommodates 95% of the population
- Low cylinder for small users
- Tall cylinder for very tall users
- High cylinder with foot ring
- Extra-high cylinder with foot ring (Saddle seat only)

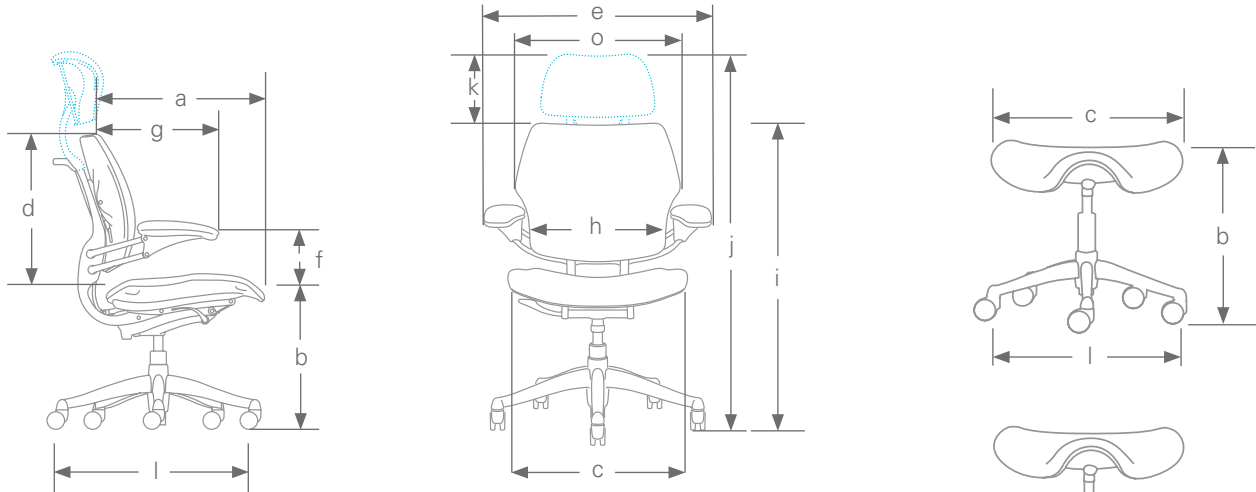
External Frame and OPTIONAL Base UPGRADE

- Die-cast aluminum with fused plastic coating or polished aluminum finish

CASTER OPTIONS

- 2.5" soft double-wheel casters for hard floors
- Non-rolling glides for fixed-location use
- 2.5" locking casters

FREEDOM Specifications



CODE	DESCRIPTION	MEASUREMENT
a	Seat Depth (from face of lumbar to front of seat)	17.40" - 19.85"
b	Seat Height (floor to compressed front center of seat cushion)	16.125" - 20.25" standard cylinder chair 17" - 22.35" tall-cylinder chair 20.25" - 27.75" high-cylinder chair 23.25" - 33.125" extra high-cylinder chair 17.5" - 22.25" return to height cylinder chair
	Headrest and Task	17.3" - 22.1" standard cylinder stool 16.7" - 20.2" low-cylinder stool 18.2" - 23.2" tall-cylinder stool 19.9" - 27.5" high cylinder stool 22.4" - 32.5" extra-high cylinder with glides
c	Seat Width	21" chair 22" Saddle seat 16" Pony Saddle seat
d	Backrest Height (from seat cushion to top of backrest)	18" - 20.9" 3" in 0.25" increments
e	Chair Width	26.75" with arms 21.1" without arms
f	Armrest Height (compressed seat cushion to top of armrest)	3.75" - 9.6"
g	Armrest Length (from face of lumbar to front of armrest)	8.8"
h	Distance between armrests (front inside edge)	19" standard 18.25" - 21.25" advanced
i	Height, Task Chair	34.625" - 41.775" standard cylinder 36.125" - 44.025" tall-cylinder 39.0" - 49.4" high-cylinder 35.25" - 40.775" 3" return to height cylinder 35.5" - 40.775" 5" return to height cylinder
j	Height, Task Chair with Headrest	42.375" - 54.275" standard cylinder 43.875" - 56.525" tall-cylinder 46.75" - 61.9" high-cylinder 43.0" - 53.275" 3" return to height cylinder 43.0" - 53.275" 5" return to height cylinder
k	Headrest Height Adjustment Range	5"
l	Base Diameter	25" chair, high or extra-high Saddle / Pony 22" standard Saddle / Pony
m	Foot Ring Diameter	18" or 21"
n	Foot Ring Height Adjustment (from floor)	6" - 11"
o	Backrest Width	21"

SCOPE OF USERS
<ul style="list-style-type: none"> Standard chair fits more than 95% of the office population <ul style="list-style-type: none"> - 5'0" Woman to 6'4" Man - 100 to 300 lbs. Users outside the standard range can be accommodated by <ul style="list-style-type: none"> - Low or Tall Cylinder - Advanced Armrests
WEIGHT
<ul style="list-style-type: none"> 38 lbs. Headrest with arms 34 lbs. Headrest without arms 34 lbs. Task with arms 30 lbs. Task without arms 14 lbs. Saddle 20 lbs. Saddle with Foot Ring 14 lbs. Pony Saddle 18 lbs. Pony Saddle with Foot Ring
BACKREST RECLINE
<ul style="list-style-type: none"> 22° recline plus 7° backrest tilt
REFERENCE ANGLE BETWEEN SEAT AND BACK
<ul style="list-style-type: none"> 100° to 129°
HEADREST RADIAL MOTION
<ul style="list-style-type: none"> 30°



FREEDOM Quick Ship Program

FREEDOM QUICK SHIP SKUs

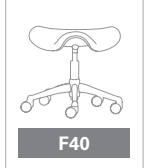
Adjustable Duron Arms, Graphite Frame, Standard Seat Pan, Standard 5" Cylinder, Standard 3" Casters for carpeted floors, Standard Foams and Plastics, Standard Base, Individually Boxed or Blanket Wrapped

Freedom Headrest - \$1,767	
F211GCF10	Corde 4 Black

Freedom Task - \$1,502	
F111GCF10	Corde 4 Black
F111GFT10	Fourtis Black
F111GFT12	Fourtis Granite

FREEDOM Build Your Product Code

COMPONENT	CODE	BASE MODEL PRICE	Freedom Task	Freedom Headrest	Freedom Saddle	Freedom Pony
			F11	F21	F30	F40
			\$1,341	\$1,606	\$428	\$389
ARMREST	0	Armless (Required option for Saddle/Pony)	—	—	—	—
	1	Standard Duron Arms	\$133	\$133	N/A	N/A
	2	Standard Duron Arms with Matching Textile	\$164	\$164	N/A	N/A
	3	Advanced Duron Arms	\$241	\$241	N/A	N/A
	4	Advanced Duron Arms with Matching Textile	\$272	\$272	N/A	N/A
	X	Standard Duron Gel Arms	\$172	\$172	N/A	N/A
	M	Standard Gel Arms with Matching Textile	\$204	\$204	N/A	N/A
	D	Advanced Duron Gel Arms	\$279	\$279	N/A	N/A
	C	Advanced Gel Arms with Matching Textile	\$312	\$312	N/A	N/A
FRAME	G	Graphite	—	—	—	—
	T	Titanium	—	—	—	—
	A	Polished Aluminum with Graphite	\$304	\$331	\$177	\$177
	M	Polished Aluminum with Titanium	\$304	\$331	\$177	\$177
		<i>Comes standard with polished aluminum base</i>				
TEXTILE		Textile Grade 1 (FT,K,CF)	\$28	\$28	\$15	\$15
		Textile Grade 2 (F)	\$103	\$114	\$54	\$54
		Textile Grade 3 (D)	\$231	\$256	\$123	\$123
		Leather Grade 1 (TL)	\$873	\$1,004	\$539	\$539
		Leather Grade 3 (CL)	\$1,806	\$2,289	\$870	\$870
TEXTILE COLOR		See pages 44-46 for color options				
LEATHER STITCHING*		If leather is selected, see page 42 for stitch options			N/A	N/A
		No leather selected	—	—	—	—
GEL SEAT	-	Standard Foam Seat Pan	—	—	—	—
	G	Gel Seat - <i>Not compatible with leather textiles</i>	\$100	\$100	N/A	N/A
CYLINDER	-	Standard 5"	—	—	—	—
	A	3" Return to Height Cylinder	\$58	\$58	\$58	\$58
	E	5" Return to Height Cylinder	\$58	\$58	\$58	\$58
	L	Low 3.75"	N/A	N/A	\$35	\$35
	T	Tall 5"	\$50	\$50	\$50	\$50
	H	High 8"	N/A	N/A	\$50	\$50
	F	High 8" w/18" Foot Ring	\$150	\$150	\$150	\$150
	R	High 8" w/21" Foot Ring	\$206	\$206	\$206	\$206
	X	Extra-High 10" w/18" Foot Ring	N/A	N/A	\$150	\$150
	Z	Extra-High 10" w/21" Foot Ring	N/A	N/A	\$206	\$206
		<i>Only available on Saddle Seat with Glides or Locking Casters</i>				
CASTER TYPE	-	Standard Hard Casters	—	—	—	—
	G	Glides	\$29	\$29	\$29	\$29
	S	Soft Casters	\$29	\$29	\$29	\$29
	K	Automatic Locking Casters	\$150	\$150	\$150	\$150
	FIRE PROOFING	-	Standard Foams and Plastics	—	—	—
	C	CAL 133-Approved Foams and Plastics	\$78	\$100	\$45	\$45
BASE UPGRADE <i>Standard Aluminum Base should be selected with A and M frame colors.</i>	-	Standard Composite Base to match Graphite or Titanium frame color	—	—	—	—
	-	Standard Aluminum Base to match frame color	—	—	—	—
	M	Powder-coated Aluminum Base to match Graphite or Titanium frame color	\$66	\$66	N/A	N/A
	A	Polished Aluminum Base on Graphite or Titanium Frame	\$188	\$188	N/A	N/A
SHIPPING	-	Individually Boxed	—	—	—	—
	B	Blanket Wrapped - <i>See Terms and Conditions for minimum order requirements</i>	—	—	—	—



*No box stitching on leather options for the Saddle or Pony Saddle

FREEDOM Options & Prices

REPLACEMENT PARTS	Code	CAL133 Available	Price	Textile 1	Textile 2	Textile 3	Leather 1	Leather 3
-------------------	------	------------------	-------	-----------	-----------	-----------	-----------	-----------

Seat Cushions								
Seat (Foam)	S 12224F	C		\$162	\$196	\$260	\$706	\$1,070
Seat (Gel)	S 1222G	C		\$259	\$291	N/A	N/A	N/A
Back	B 12224F	C		\$162	\$196	\$260	\$706	\$1,070
Saddle Seat	L 1222	C		\$182	\$246	\$305	\$754	\$1,122
Pony Saddle	LP 1222	C		\$157	\$222	\$280	\$727	\$1,096
Headrest	H 1222F	C		\$144	\$156	\$182	\$305	\$487

Armrest Cushions								
Standard Duron Arm Pads	FA			\$60	N/A	N/A	N/A	N/A
Advanced Duron Arm Pads	FV			\$60	N/A	N/A	N/A	N/A
Standard Duron Gel Arm Pads	FX			\$99	N/A	N/A	N/A	N/A
Advanced Duron Gel Arm Pads	FD			\$99	N/A	N/A	N/A	N/A
Standard Duron Arm Pads with Matching Textile (Pair)	FAM 1222	C		\$85	\$110	\$110	\$150	\$240
Advanced Duron Arm Pads with Matching Textile (Pair)	FVM 1222	C		\$85	\$110	\$110	\$150	\$240
Standard Gel Arm Pads with Matching Textile (Pair)	FXM 1222	C		\$124	\$149	\$149	\$188	\$279
Advanced Gel Arm Pads with Matching Textile (Pair)	FDM 1222	C		\$124	\$149	\$149	\$188	\$279

RETROFIT PARTS	Code	CAL133 Available	Price	Textile 1	Textile 2	Textile 3	Leather 1	Leather 3
Advanced Duron Arms	KDA3		\$235	N/A	N/A	N/A	N/A	N/A
Advanced Duron Gel Arms	KA3		\$274	N/A	N/A	N/A	N/A	N/A
Advanced Duron Arms with Matching Textile	KDAM31222	C		\$260	\$274	\$274	\$317	\$421
Advanced Gel Arms with Matching Textile	KAM31222	C		\$298	\$311	\$311	\$356	\$460
Freedom Task Chair Coat Hanger Kit	FREEDOM TASK COAT HANGER KIT		\$92					
Freedom Headrest Chair Coat Hanger Kit	FREEDOM HEADREST COAT HANGER KIT		\$79					

Any code containing a number refers to the component or textile that must be selected to order the replacement or retrofit part.

1- Textile Code **2-** Cushion Color **3-** Frame/Cushion Shell Color (G=Graphite, T=Titanium) **4-** Leather Stitch Color (page 42)



DIFFRIENT SMART

Ideal for any designed environment, Diffrient Smart features aesthetics that are as minimal visually as the chair is functional. And, with its signature weight-sensitive recline, body-fitting Form-Sensing Mesh Technology and unique tri-panel backrest, Diffrient Smart adapts to every user, every time.

Diffrient Smart is also available in the Plus version for a wider seat and with support for up to 400lbs.



DIFFRIENT SMART Features & Characteristics



BODY FIT

Size adjustable to fit more than 95% of the population

CUSHION PAN, BACK FRAME, FIVE-ARM BASE

Injection-molded, structural, integral color plastics

EXTERNAL FRAME

Die-cast aluminum with powder coating

FIREPROOFING

CAL 133-approved: optional fireproof barrier between textile and foam

SELF-ADJUSTING RECLINE

- Intelligent counter-balance recline mechanism automatically provides the right amount of support through the full range of recline motion, regardless of user size and weight
- No tension springs to adjust
- No recline locks to set/release
- During recline, the angle between torso and legs opens up for better body function
- User maintains near-constant eye level during recline

PIVOTING BACKREST

- Extra motion of the backrest during recline automatically adjusts to the changing needs of the spine
- Provides additional lumbar support as needed

FORM-SENSING MESH

- Tri-panel, non-stretch mesh construction creates body-fitting contours and self-adjusting lumbar support for a customized fit
- No external lumbar devices to adjust, break or lose
- Low-abrasion mesh protects clothing
- Modular for easy replacement

ARMREST OPTIONS

- Armless
- Fixed armrests
- Height-adjustable armrests with 5" range of adjustment
- 4D height-adjustable armrests with adjustable armpads (standard on Diffrient Smart Plus)

CONTOURED CUSHIONS

- Carefully sculpted to match body contours
- Increased contact area reduces pressure points
- Modular for easy replacement
- 2" thick cushions on Diffrient Smart with a 19.25" seat width
- 3" thick cushions on Diffrient Smart Plus with a 22" seat width

CYLINDER

- Standard cylinder provides seat height range that accommodates 95% of the population
- Optional low cylinder for small users
- Optional high cylinder for very tall users

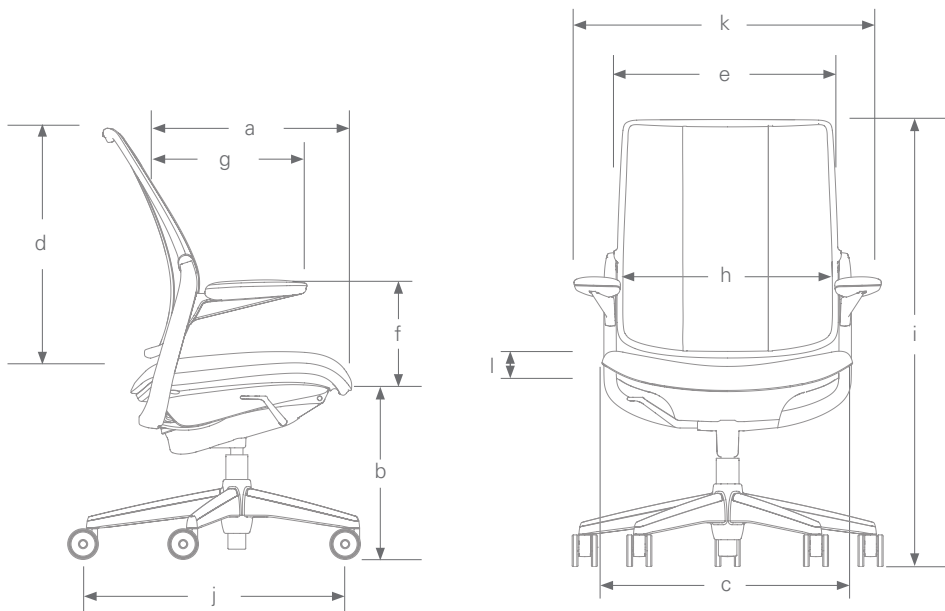
BASE

- Plastic base (standard on Diffrient Smart)
- Aluminum base (standard on Diffrient Smart Plus)

CASTER OPTIONS

- Standard 3" casters for carpeted floors
- Optional soft casters for hard floors

DIFFRIENT SMART Specifications



SCOPE OF USERS
<ul style="list-style-type: none"> Conference/Task chair fits 95% of the office population <ul style="list-style-type: none"> – 5'0" (152cm) Woman to 6'4" (193cm) Man – 100 to 300 lbs. (45.4kg – 136kg) Diffrient Smart Plus <ul style="list-style-type: none"> – 100 to 400 lbs. (45.4kg – 181kg) Users outside the standard height range can be accommodated by Low or Tall Cylinder
WEIGHT
<ul style="list-style-type: none"> 34 lbs. with arms 31 lbs. without arms
TILT AND RECLINE
<ul style="list-style-type: none"> 18° recline plus 8° backrest tilt
REFERENCE ANGLE BETWEEN SEAT AND BACK
<ul style="list-style-type: none"> 93° to 124°

CODE	DESCRIPTION	Diffrient Smart	Diffrient Smart Plus
a	seat depth (from face of lumbar to front of seat)	16.25" – 18.75"	17" – 19"
b	seat height (from floor to compressed front center of seat cushion)	16.5" - 20.75" standard cylinder chair 14.875" - 17.875" low-cylinder chair 17.625" - 22.625" tall-cylinder chair 20.75" - 28.25" 8" high-cylinder chair 17.125" - 19.75" 3" return to height cylinder chair 17.375" - 22.125" 5" return to height cylinder chair	17.5" – 22.75" standard cylinder chair 17.0" – 20.5" Low-Cylinder Chair 18.0" – 23.25" TALL-Cylinder Chair (5") 21.0" – 28.5" HIGH-Cylinder Chair (8") 17.25" – 19.63" Return to height Cylinder (3")
c	seat width	19.25"	22"
d	backrest height (from seat cushion to top of backrest)	22.50"	22.50"
e	backrest width	19"	19"
f	armrest height (from compressed seat cushion to top of armrest)	8.75" fixed 5" – 9.6" adjustable and 4D Arms	5.75" – 10.25" 4D (4D armrests only)
g	armrest length (from face of lumbar to front of armrest)	8.75"	8.75"
h	distance between armrests	18.50" fixed and adjustable 18" - 20" 4D arms	18" - 20" 4D arms (4D armrests only)
i	height	39" - 43.25" standard cylinder chair 37.5" - 40.5" low-cylinder chair 17.625" - 22.625" tall-cylinder chair 43.75" - 51.25" 8" high-cylinder chair 39.625" - 42.25" 3" return to height cylinder chair 39.875" - 44.625" 5" return to height cylinder chair	40" – 44.8" standard cylinder chair 40" – 43.5" low-cylinder chair 41" – 46" tall-cylinder chair 40.3" - 42.5" return to height cylinder chair
j	base diameter	26"	26"
k	chair width	26.5"	26.5"
l	cushion thickness	2"	3"

DIFFRIENT SMART Quick Ship Program

DIFFRIENT SMART QUICK SHIP SKUs

Adjustable Duron Arms, Standard Seat Pan, Standard 5" Cylinder, Standard Casters for Carpeted Floors, Standard Foams and Plastics, Individually Boxed or Blanket Wrapped

Diffrient Smart - \$1,649	
S413BM10CF10	Black Frame with Black Trim, Monofilament Stripe Black Back, Corde 4 Black Seat
S413BM10FT10	Black Frame with Black Trim, Monofilament Stripe Black Back, Fourtis Black Seat
S413DN10CF10	Dark Gray Frame with Polished Aluminum Trim, Monofilament Stripe Black Back, Fourtis Black Seat

DIFFRIENT SMART Build Your Product Code

			Diffrient Smart	Diffrient Smart Ocean	Diffrient Smart Plus
COMPONENT	CODE	BASE MODEL PRICE	\$1,370	\$1,437	\$2,289
LINE	S	Smart	-	-	-
STYLE <i>* See page 44 for LPC approved textile options</i>	1	Diffrient Smart Task Chair - LPC Approved	-	-	N/A
	2	Diffrient Smart Plus Task Chair	N/A	N/A	-
	4	Diffrient Smart Task Chair	-	N/A	N/A
MECHANISM	1	Task Chair	-	-	-
ARMRESTS	0	Armless	-	-	-
	1	Fixed Duron Arms	\$154	\$161	N/A
	2	Fixed Duron Arms with Matching Textile	\$182	\$190	N/A
	3	Adjustable Duron Arms	\$255	\$268	N/A
	4	Adjustable Duron Arms with Matching Textile	\$285	\$298	N/A
	5	4D Adjustable Duron Arms	\$301	\$316	\$301
	6	4D Adjustable Duron Arms with Matching Textile	\$330	\$346	\$330
FRAME COLOR	B	Black Frame with Black Trim	-	-	-
	D	Dark Gray Frame with Polished Aluminum Trim	\$130	\$136	\$130
	C	Black Frame with Polished Aluminum Trim	\$130	\$136	\$130
BACKREST MESH STYLE		See page 43 and textile samples for mesh color options and codes			
BACKREST MESH COLOR		See page 43 and textile samples for mesh color options and codes			
SEAT TEXTILE		Textile Grade 1 (FT,K,CF)	\$24	\$25	\$37
		Textile Grade 2 (F)	\$76	-	\$100
		Textile Grade 3 (D)	\$153	-	\$200
		Leather Grade 1 (TL)	\$627	NA	\$876
		Leather Grade 3 (CL)	\$1,215	N/A	\$1,648
SEAT TEXTILE COLOR		See pages 41-42 for color options			
LEATHER STITCHING		If leather is selected, see page 42 for stitch options			
	-	No leather selected	-	-	-
SEAT PAN	-	Standard Seat Pan	-	-	-
CYLINDER	-	Standard 5"	-	-	-
	A	3" Return to Height Cylinder	\$57	\$60	\$57
	E	5" Return to Height Cylinder	\$57	\$60	\$57
	L	Low 3.75"	\$34	\$36	\$34
	T	Tall 5"	\$49	\$51	\$49
	F	High 8" cylinder w/ 18" foot ring	\$144	\$152	N/A
	R	High 8" cylinder w/ 21" foot ring	\$200	\$210	N/A
CASTERS/GLIDES	-	Standard Casters for Carpeted Floors	-	-	-
	S	Soft Casters	-	-	-
FIREPROOFING	-	Standard Foams and Plastics	-	-	-
	C	CAL 133 Approved Foams and Plastics	\$64	\$64	\$81
BASE	-	Standard Base	-	-	-
	A	Polished Aluminum Base	\$188	\$188	\$188
SHIPPING	-	Individually Boxed	-	-	-
	B	Blanket Wrapped*	-	-	-

DIFFRIENT SMART Options & Prices

REPLACEMENT PARTS	Code	CAL133 Available	Price	Textile 1	Textile 2	Textile 3	Leather 1	Leather 3
Foam Seat Cushion (Diffrient Smart)	SSF12226	C	N/A	\$158	\$186	\$245	\$650	\$983
Foam Seat Cushion (Diffrient Smart Plus)	S2SF12226	C	N/A	\$215	\$245	\$328	\$810	\$1,174
Mesh Backrest (Diffrient Smart & Smart Plus)	SB3422		\$180	N/A	N/A	N/A	N/A	N/A
Duron Arm Pads (Pair) (Diffrient Smart & Smart Plus)	SDA5		\$71	N/A	N/A	N/A	N/A	N/A
Duron Arm Pads w/Matching Textile (Pair) (Diffrient Smart & Smart Plus)	SDAM1222	C	N/A	\$82	\$104	\$104	\$136	\$202

RETROFIT KITS	Code	CAL133 Available	Price	Textile 1	Textile 2	Textile 3	Leather 1	Leather 3
Fixed Duron Arms	SKF35		\$235	N/A	N/A	N/A	N/A	N/A
Fixed Duron Arms w/Matching Textile	SKFM31222	C	N/A	\$245	\$280	\$280	\$301	\$366
Height Adjustable Duron Arms	SKH35		\$415	N/A	N/A	N/A	N/A	N/A
Height Adjustable Duron Arms w/Matching Textile	SKHM31222	C	N/A	\$426	\$448	\$448	\$480	\$546
4D Adjustable Duron Arms	SKD35		\$448	N/A	N/A	N/A	N/A	N/A
4D Adjustable Duron Arms w/ Matching Textile	SKDM31222	C	N/A	\$459	\$480	\$480	\$514	\$579

Any code containing a number refers to the component or textile that must be selected to order the replacement or retrofit part.

1 – Textile Code (pages 41-42) **2** – Cushion Color (pages 41-42) **3** – Frame Color (B, G, A)

4 – Mesh (M, C, A, N, J) **5** – Arm Pad Color (B, G) **6** – Leather Stitch Color (page 42)



LIBERTY

Liberty, with Form-Sensing Mesh Technology, is unlike any mesh chair you've seen or experienced. With its tri-panel construction, Liberty has the body-fitting contours that single-panel stretch mesh chairs simply can't achieve. And it offers perfect lumbar support for everyone, without external devices or manual adjustments. Liberty's mesh back is formed by combining three panels of non-stretch mesh in the same way a tailor combines multiple pieces of material to form a shirt. So its contours are custom-made to both fit and support the human body in unprecedented comfort.

LIBERTY Features & Characteristics



BODY FIT

Size adjustable to fit more than 95% of the population

CUSHION PAN, BACK FRAME, FIVE-ARM BASE

Injection-molded, structural, integral color plastics.
Optional stainless steel caps on base

EXTERNAL FRAME

Die-cast aluminum with fused plastic coating or polished aluminum finish

FIREPROOFING

CAL 133-approved: optional fireproof barrier between textile and foam

SELF-ADJUSTING RECLINE

- Intelligent counter-balance recline mechanism automatically provides the right amount of support through the full range of recline motion, regardless of user size and weight
- No tension springs to adjust
- No recline locks to set/release
- During recline, the angle between torso and legs opens up for better body function
- User maintains near-constant eye level during recline

PIVOTING BACKREST

- Extra motion of the backrest during recline automatically adjusts to the changing needs of the spine
- Provides additional lumbar support as needed

ARMREST OPTIONS

- Armless
- Fixed armrests
- Height-adjustable armrests with 5" range of adjustment
- Armpad Options: Standard Flexible Duron or Duron with Gel for optimal comfort

FORM-SENSING MESH

- Tri-panel, non-stretch mesh construction creates body-fitting contours and self-adjusting lumbar support for a customized fit
- No external lumbar devices to adjust, break or lose
- Low-abrasion mesh protects clothing
- Modular for easy replacement

CONTOURED CUSHIONS

- Carefully sculpted to match body contours
- Increased contact area reduces pressure points
- Modular for easy replacement
- Glueless cushions mean less usage of materials for a more environmentally friendly solution

CYLINDER

- Standard cylinder provides seat height range that accommodates 95% of the population
- Optional low cylinder for small users
- Optional tall cylinder for very tall users
- Optional high cylinder with foot ring

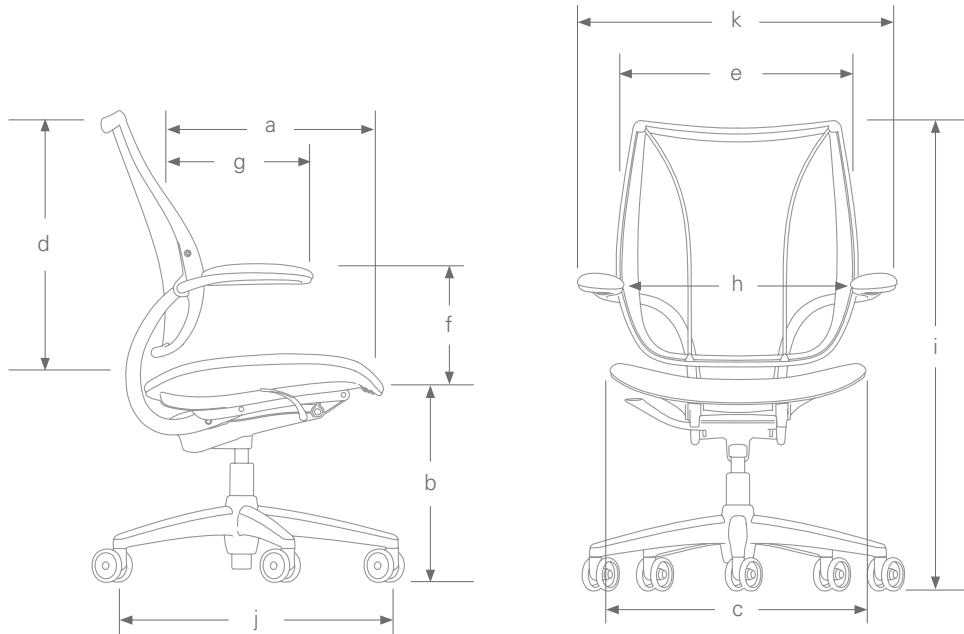
OPTIONAL FOOT RING

- Polished finish
- Height-adjustable

CASTER OPTIONS

- Standard 3" casters for carpeted floors
- Optional soft casters for hard floors
- Optional non-rolling glides for fixed location use

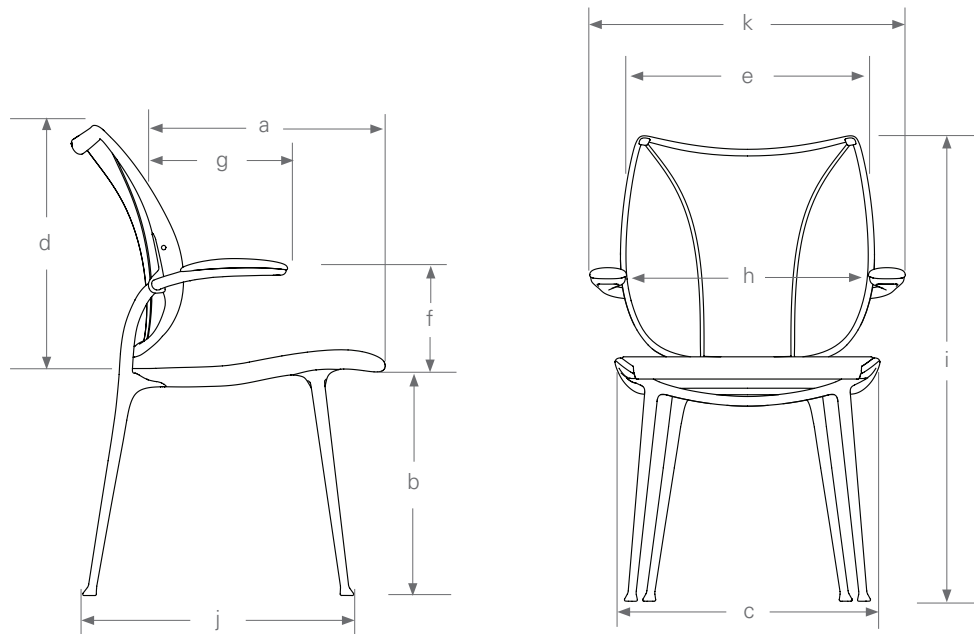
LIBERTY Specifications



CODE	DESCRIPTION	MEASUREMENT
a	seat depth <i>(from face of lumbar to front of seat)</i>	16.5" – 18.75"
b	seat height <i>(from floor to compressed front center of seat cushion)</i>	16.6" - 20.9" standard cylinder chair 15.4" - 18.4" low-cylinder chair 17.25" - 22.6" tall-cylinder chair 21.1" - 28.6" high-cylinder chair 24.0" - 34.0" extra high-cylinder chair 16.875" - 19.5" 3" return to height cylinder chair 17.125" - 21.875" 5" return to height cylinder chair
c	seat width	21.25"
d	backrest height <i>(from seat cushion to top of backrest)</i>	23"
e	backrest width	20"
f	armrest height <i>(from compressed seat cushion to top of armrest)</i>	10" fixed 6.25"-9.75" adjustable
g	armrest length <i>(from face of lumbar to front of armrest)</i>	8.6"
h	distance between armrests	19"
i	height	39.25" - 43.625" standard cylinder chair 37.875" - 40.875" low-cylinder chair 40.5" - 45.5" tall-cylinder chair 43.5" - 51.0" high-cylinder chair 47.0" - 57.0" extra high-cylinder chair 39.875" - 42.5" 3" return to height cylinder chair 40.125" - 44.875" 5" return to height cylinder chair
j	base diameter	25"
k	chair width	26.5" with arms 21" without arms

SCOPE OF USERS
<ul style="list-style-type: none"> Conference/Task chair fits more than 95% of the office population <ul style="list-style-type: none"> – 5'0" Woman to 6'4" Man – 100 to 300 lbs. Users outside the standard range can be accommodated by Low or Tall Cylinder
WEIGHT
<ul style="list-style-type: none"> 34 lbs. <i>with arms</i> 30 lbs. <i>without arms</i>
TILT AND RECLINE
<ul style="list-style-type: none"> 17° recline plus 7° backrest tilt <i>Conference/Task chair</i>
REFERENCE ANGLE BETWEEN SEAT AND BACK
<ul style="list-style-type: none"> 100° to 124° <i>Conference/Task chair</i>

LIBERTY Specifications



CODE	DESCRIPTION	MEASUREMENT
a	seat depth <i>(from face of lumbar to front of seat)</i>	18.5"
b	seat height <i>(from floor to compressed front center of seat cushion)</i>	18.4"
c	seat width	20.75"
d	backrest height <i>(from seat cushion to top of backrest)</i>	20.75"
e	backrest width	20.25"
f	armrest height <i>(from compressed seat cushion to top of armrest)</i>	9.1"
g	armrest length <i>(from face of lumbar to front of armrest)</i>	12"
h	distance between armrests	19.15"
i	height	36.75"
j	base diameter	N/A
k	chair width	25"

SCOPE OF USERS
<ul style="list-style-type: none"> Side chair fits more than 95% of the office population - 5'0" Woman to 6'4" Man - 100 to 300 lbs.
WEIGHT
<ul style="list-style-type: none"> 18 lbs. <i>with arms</i> 17 lbs. <i>without arms</i>

LIBERTY Quick Ship Program

LIBERTY QUICK SHIP SKUs

Adjustable Duron Arms, Black Frame with Black Trim, Standard Seat Pan, Standard 5" Cylinder, Standard 3" Casters for Carpeted Floors, Standard Foams and Plastics, Standard Base, Individually Boxed or Blanket Wrapped

Liberty Task - \$1,495	
L111BM10CF10	Monofilament Stripe Black Back, Corde 4 Black Seat
L111BM10FT10	Monofilament Stripe Black Back, Fourtis Black Seat

Liberty Side - \$768	
L406BM10M10	Monofilament Stripe Black Back, Monofilament Stripe Black Seat

LIBERTY Build Your Product Code



TASK

SIDE

COMPONENT	CODE	BASE MODEL PRICE	\$1,239	\$660
STYLE	L11	Task Chair	-	N/A
	L40	Side Chair	N/A	-
ARMRESTS	0	Armless	-	-
	6	Fixed Duron Arms	\$133	\$108
	7	Fixed Duron Arms with Matching Textile	\$164	\$139
	X	Fixed Duron Gel Arms	\$172	\$145
	M	Fixed Gel Arms with Matching Textile	\$204	\$178
	1	Height Adjustable Duron Arms	\$228	N/A
	2	Height Adjustable Duron Arms with Matching Textile	\$260	N/A
	D	Height Adjustable Duron Gel Arms	\$267	N/A
FRAME COLOR	C	Height Adjustable Gel Arms with Matching Textile	\$298	N/A
	B	Black with Black Trim	-	-
	V	Silver with Silver Trim	-	-
	L	Silver with Black Trim	-	-
	A	Polished Aluminum with Black Trim	\$171	\$113
BACKREST MESH STYLE	P	Polished Aluminum with Silver Trim	\$171	\$113
		See page 43 and textile samples for mesh color options and codes		
BACKREST MESH COLOR		See page 43 and textile samples for mesh color options and codes		
SEAT MESH/ TEXTILE STYLE		Mesh (A,N,J)	N/A	-
		Textile Grade 1 (FT,K,CF)	\$28	\$82
		Textile Grade 2 (F)	\$62	\$109
		Textile Grade 3 (D)	\$130	\$135
		Leather Grade 1 (TL)	\$529	N/A
		Leather Grade 3 (CL)	\$1,067	N/A
SEAT MESH/ TEXTILE COLOR		See pages 41-43 and textile samples for mesh color options and codes		
LEATHER STITCHING		If leather is selected, see page 42 for stitch options		
	-	No leather selected	-	-
GEL SEAT		Standard Seat Pan	-	-
	G	Gel Seat - <i>Not compatible with leather textiles</i>	\$100	N/A
CYLINDER		Standard 5"	-	N/A
	A	3" Return to Height Cylinder	\$58	N/A
	E	5" Return to Height Cylinder	\$58	N/A
	L	Low 3.75"	\$35	N/A
	T	Tall 5"	\$50	N/A
	F	High 8" w/18" Foot Ring	\$150	N/A
	R	High 8" w/21" Foot Ring	\$206	N/A
	X	10" Extra High with 18" Foot Ring	\$150	N/A
	Z	10" Extra High with 21" Foot Ring	\$206	N/A
	CASTERS/GLIDES		Standard 3" Casters for carpeted floors	-
S		Soft Casters	-	N/A
G		Glides	\$26	N/A
FIREPROOFING		Standard Foams and Plastics	-	-
	C	CAL 133-Approved Foams and Plastics <i>(Included in all side chairs)</i>	\$26	-
BASE		Standard Base	-	N/A
	A	Polished Aluminum Base	\$188	N/A
SHIPPING		Individually Boxed	-	-
	B	Blanket Wrapped	-	-



LIBERTY Options & Prices

REPLACEMENT PARTS	Code	CAL133 Available	Price	Textile 1	Textile 2	Textile 3	Leather 1	Leather 3
-------------------	------	------------------	-------	-----------	-----------	-----------	-----------	-----------

Liberty Conference/Task								
Seat (Foam)	LSF 12226	C	N/A	\$162	\$196	\$265	\$706	\$1,071
Seat (Gel)	LSG 1222	C	N/A	\$259	\$291	N/A	N/A	N/A
Mesh Backrest	LB3422		\$227	N/A	N/A	N/A	N/A	N/A
Fixed Duron Arm Pads (Pair)	LDA5		\$60	N/A	N/A	N/A	N/A	N/A
Fixed Duron Gel Arm Pads (Pair)	LGA		\$99	N/A	N/A	N/A	N/A	N/A
Height-Adjustable Duron Arm Pads (Pair)	LDV5		\$60	N/A	N/A	N/A	N/A	N/A
Height-Adjustable Duron Gel Arm Pads (Pair)	LGV		\$99	N/A	N/A	N/A	N/A	N/A
Fixed Duron Arm Pads with Matching Textile (Pair)	LDAM 1222	C	N/A	\$85	\$110	\$115	\$150	\$240
Fixed Gel Arm Pads with Matching Textile (Pair)	LGAM 1222	C	N/A	\$124	\$149	\$154	\$188	\$279
Height-Adjustable Duron Arm Pads with Matching (Pair)	LDVM 1222	C	N/A	\$85	\$110	\$115	\$150	\$240
Height-Adjustable Gel Arm Pads with Matching Textile (Pair)	LGVM 1222	C	N/A	\$124	\$149	\$154	\$188	\$279

Liberty Side								
Mesh Backrest	LSCB3422		\$227	N/A	N/A	N/A	N/A	N/A
Mesh Seat Cushion	LSCS3422		\$227	N/A	N/A	N/A	N/A	N/A
Textile-covered Seat Cushion	LSCSM31222			\$254	\$279	\$284	N/A	N/A
Duron Arm Pads (Pair)	LSDA5		\$60	N/A	N/A	N/A	N/A	N/A
Duron Gel Arm Pads (Pair)	LSGA		\$99	N/A	N/A	N/A	N/A	N/A
Duron Arm Pads with Matching Textile Cover (Pair)	LSDAM 1222		N/A	\$85	\$110	\$115	\$150	\$240
Gel Arm Pads with Matching Textile Cover (Pair)	LSGAM 1222			\$124	\$149	\$154	\$188	\$279

Any code containing a number refers to the component or textile that must be selected to order the replacement or retrofit part.

- 1** – Textile Code (pages 41-42) **2** – Cushion Color (pages 41-42) **3** – Frame Color (B, V, A) **4** – Mesh (M, C, A, N, J)
5 – Arm Pad Color (B, V) **6** – Leather Stitch Color (page 42)

LIBERTY Options & Prices

RETROFIT PARTS	Code	CAL133 Available	Price	Textile 1	Textile 2	Textile 3	Leather 1	Leather 3
----------------	------	------------------	-------	-----------	-----------	-----------	-----------	-----------

Liberty Task Retrofit Kits								
Fixed Duron Arms (Pair)	LKFD35		\$150	N/A	N/A	N/A	N/A	N/A
Fixed Duron Gel Arms (Pair)	LKFG3		\$188	N/A	N/A	N/A	N/A	N/A
Height-Adjustable Duron Arms (Pair)	LKD35		\$208	N/A	N/A	N/A	N/A	N/A
Height-Adjustable Duron Gel Arms (Pair)	LKA3		\$245	N/A	N/A	N/A	N/A	N/A
Fixed Duron Arms with Matching Textile (Pair)	LKFDM31222	C		\$176	\$201	\$206	\$240	\$331
Fixed Gel Arms with Matching Textile (Pair)	LKFGM31222	C		\$214	\$239	\$244	\$279	\$369
Height-Adjustable Duron Arms with Matching Textile (Pair)	LKDM31222	C		\$234	\$259	\$264	\$298	\$389
Height-Adjustable Gel Arms with Matching Textile (Pair)	LKAM31222	C		\$271	\$297	\$303	\$336	\$427

Liberty Side Retrofit Kits								
Fixed Duron Arms (Pair)	LSKFD35		\$137	N/A	N/A	N/A	N/A	N/A
Fixed Duron Gel Arms (Pair)	LSKFX3		\$176	N/A	N/A	N/A	N/A	N/A
Fixed Duron Arms with Matching Textile Cover (Pair)	LSKFDM31222			\$162	\$188	\$193	\$227	\$318
Fixed Gel Arms with Matching Textile Cover (Pair)	LSKFGM31222			\$201	\$226	\$232	\$265	\$356

Any code containing a number refers to the component or textile that must be selected to order the replacement or retrofit part.

1 – Textile Code (pages 42-43) **2** – Cushion Color (pages 42-44) **3** – Frame Color (B, V, A) **4** – Mesh (M, C, A, N, J)

5 – Arm Pad Color (B, V) **6** – Leather Stitch Color (page 42)



DIFFRIENT WORLD

Diffrient World marks Humanscale's first foray into all-mesh task seating. Like its mesh-backed forerunner, Liberty, Diffrient World's tri-panel backrest hugs the body to provide tailor-made lumbar support, while its mesh seat eliminates contact stress under the thighs. But Diffrient World's major innovation is its mechanism-free recline action, which leverages two parts of the chair's frame, the user's body weight, and the laws of physics to provide automatic and balanced support throughout the full range of recline. No chair is more intuitive, creating the ultimate user-friendly sitting experience.



DIFFRIENT WORLD Features & Characteristics



BODY FIT

Size adjustable to fit more than 95% of the population

CUSHION PAN, BACK FRAME, FIVE-ARM BASE

Non-stretch, tri-panel mesh back. Non-stretch mesh seat. Optional upholstered polyurethane foam seat cushion

EXTERNAL FRAME

Injection-molded, structural, integral color glass-filled Nylon 6

FIREPROOFING

CAL 133-approved option available

SELF-ADJUSTING RECLINE

- Intelligent counter-balance recline mechanism automatically provides the right amount of support through the full range of recline motion, regardless of user size and weight
- No tension springs to adjust
- No recline locks to set/release
- During recline, the angle between torso and legs opens up for better body function
- User maintains near-constant eye level during recline

PIVOTING BACKREST

- Extra motion of the backrest during recline automatically adjusts to the changing needs of the spine
- Provides additional lumbar support as needed

ARMREST OPTIONS

- Armless, Fixed armrests or Height-adjustable armrests with 3.2" range of adjustment

ARM PAD OPTIONS

- Flexible Duron or Matching textile-covered arm pad

FORM-SENSING MESH

- Tri-panel, non-stretch mesh construction creates body-fitting contours and self-adjusting lumbar support for a customized fit
- No external lumbar devices to adjust, break or lose
- Low-abrasion mesh protects clothing
- Modular for easy replacement

NON-STRETCH MESH SEAT

- Automatically sculpts to match body contours
- Cradles the body in flexible, breathable mesh
- Frameless front edge eliminates contact stress under the thighs

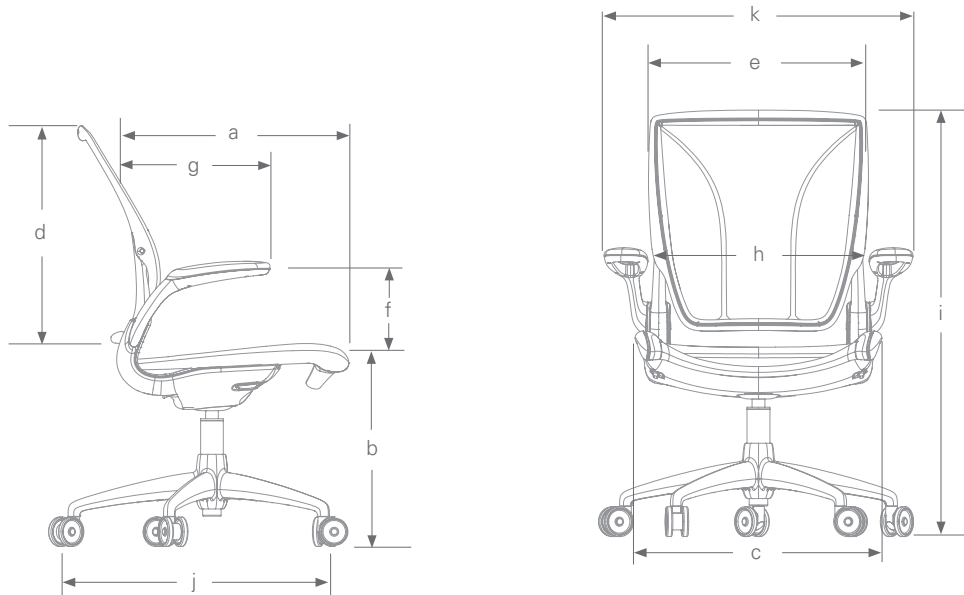
CYLINDER

- Standard cylinder provides seat height range that accommodates 95% of users
- Optional low cylinder for small users
- Optional tall cylinder for very tall users
- Optional high cylinder with foot ring

CASTER OPTIONS

- Standard 3" (76mm) hard casters
- Optional non-rolling glides for fixed location use
- Optional soft casters for hard floors

DIFFRIENT WORLD Specifications



CODE	DESCRIPTION	MEASUREMENT
a	seat depth <i>(from face of lumbar to front of seat)</i>	15.70" - 18.25"
b	seat height <i>(from floor to compressed front center of seat cushion)</i>	15.63" - 20.75" standard chair 12.75" - 15.75" low chair 18.13" - 25.63" 8" high cylinder with 18" foot ring 20.75" - 30.75" 10" extra-high cylinder with 21" foot ring 14.75" - 17.38" 3" cylinder with 18" foot ring 15.0" - 19.75" 5" cylinder with 21" foot ring
c	seat width	20.20"
d	backrest height <i>(from seat cushion to top of backrest)</i>	22.5"
e	backrest width	16"
f	armrest height <i>(from compressed seat cushion to top of armrest)</i>	9.50" fixed 7.20" - 10.75" adjustable
g	armrest length <i>(from face of lumbar to front of armrest)</i>	8.40"
h	distance between armrests	18.75"
i	height	35.625" - 40.75" standard chair 32.75" - 35.75" low chair 38.125" - 45.625" 8" high cylinder with 18" foot ring 40.75" - 50.75" 10" extra-high cylinder with 21" foot ring 34.75" - 37.375" 3" cylinder with 18" foot ring 35.0" - 39.75" 5" cylinder with 21" foot ring
j	base diameter	24" (610mm)
k	chair width	25.75" (with arms) 21" (without arms)

SCOPE OF USERS
<ul style="list-style-type: none"> Conference/Task chair fits 95% of the office population <ul style="list-style-type: none"> 5'0" (152cm) Woman to 6'4" (193cm) Man 100 to 300 lbs. (45.4kg - 136kg) Users outside the standard height range can be accommodated by Low or Tall Cylinder
WEIGHT
<ul style="list-style-type: none"> 28 lbs. Conference/Task chair 24 lbs. Armless chair
TILT AND RECLINE
<ul style="list-style-type: none"> 17° recline plus 8° backrest tilt
REFERENCE ANGLE BETWEEN SEAT AND BACK
<ul style="list-style-type: none"> 97.7° to 114.3°

DIFFRIENT WORLD Quick Ship Program

DIFFRIENT WORLD QUICK SHIP SKUs

Height-Adjustable Duron Arms, Black Frame, Standard 5" Cylinder, Standard Hard Casters, Standard Base, Individually Boxed or Blanket Wrapped

Diffrient World - \$1,295	
W11BJ10J10	Catena Black Back, Catena Black Seat
W11BN10N10	Pinstripe Black Back, Pinstripe Black Seat

Diffrient World - \$1,389	
W11BM10CF10	Monofilament Stripe Black Back, Corde 4 Black Seat

DIFFRIENT WORLD Build Your Product Code

COMPONENT	CODE	BASE MODEL PRICE	\$1,066
LINE	W	Diffrient World Chair	–
STYLE	1	Conference/Task Chair	–
ARMRESTS	0	Armless	–
	6	Fixed Duron Arms	\$108
	7	Fixed Duron Arms with Matching Textile - <i>Available with textile covered seat only</i>	\$141
	1	Height Adjustable Duron Arms	\$229
	2	Height Adjustable Duron Arms with Matching Textile - <i>Available with textile covered seat only</i>	\$264
FRAME COLOR	B	Black	–
	W	White	\$27
	V	Gray	–
BACKREST MESH STYLE		See page 43 and textile Samples for mesh color options and codes	
BACKREST MESH COLOR		See page 43 and textile Samples for mesh color options and codes	
SEAT MESH/ TEXTILE STYLE		Mesh (A,N,J)	–
		Textile Grade 1 (FT,K,CF)	\$96
		Textile Grade 2 (F)	\$151
		Textile Grade 3 (D)	\$204
SEAT MESH/ TEXTILE COLOR		See pages 41-43 and textile samples for mesh color options and codes	
CYLINDER	—	Standard 5"	–
	A	3" Return to Height Cylinder	\$58
	E	5" Return to Height Cylinder	\$58
	L	Low 3.75"	\$35
	F	High 8" w/18" Foot Ring	\$150
	R	High 8" Cylinder with 21" Foot Ring	\$206
	X	Extra-high 10" Cylinder w/ 18" Foot Ring	\$150
Z	Extra-high 10" Cylinder w/ 21" Foot Ring	\$206	
CASTERS/GLIDES	—	Standard Hard Casters	–
	S	Soft Casters	\$23
	G	Glides	\$29
FIREPROOFING	—	Standard Plastics and Foams	–
	C	CAL133 Label Applied to Underside of Chair	–
BASE	—	Standard	–
	A	Polished Aluminum Base	\$188
SHIPPING	—	Individually Boxed	–
	B	Blanket Wrapped - <i>See Terms and Conditions for minimum order requirements</i>	–

requires soft casters and glides

DIFFRIENT WORLD Options & Prices

REPLACEMENT PARTS	Code	CAL133 Available	Price	Textile 1	Textile 2	Textile 3
-------------------	------	------------------	-------	-----------	-----------	-----------

Seat Cushions						
Mesh Backrest	DWCB3422	C	\$191	N/A	N/A	N/A
Mesh Seat Cushion	DWCS3422	C	\$191	N/A	N/A	N/A
Textile-Covered Seat Cushion	DWCSM31222	C	N/A	\$274	\$302	\$328

Armrest Cushions						
Fixed Duron Arm Pads (Pair)	DWFD35	C	\$62			
Fixed Duron Arm Pads with Matching Textile Cover (Pair)*	DWFDM1222	C		\$88	\$118	\$118
Height Adjustable Duron Arm Pads (Pair)	DWAD35	C	\$62			
Height Adjustable Duron Arm Pads with Matching Textile Cover (Pair)*	DWADM1222	C		\$88	\$118	\$118

RETROFIT PARTS	Code	CAL133 Available	Price	Textile 1	Textile 2	Textile 3
Fixed Duron Arms (Pair)	DWKFD35	C	\$124			
Fixed Duron Arms with Matching Textile Cover (Pair)*	DWKFDM31222	C		\$150	\$178	\$178
Height-Adjustable Duron Arms (Pair)	DWKAD35	C	\$246			
Height-Adjustable Duron Arms with Matching Textile Cover (Pair)*	DWKADM31222	C		\$274	\$302	\$302

Any code containing a number refers to the component or textile that must be selected to order the replacement or retrofit part.

1 – Textile Code (pages 42-43) **2** – Cushion Color (pages 42-43) **3** – Frame Color (B, W, V)

4 – Mesh (M,C,A,N, J) **5** – Arm Pad Color (S,B)



SUMMA

Designed specifically with executive boardrooms and offices in mind, Summa's enveloping shape and sculpted materials converge for a truly harmonious design that exudes luxury in every detail. Utilizing only one discreet height adjustment lever, Summa features a weight-compensating recline mechanism and integrated armrests for exceptional ergonomic comfort and support.

SUMMA Features & Characteristics



Walnut Wood Finish



Ebony Wood Finish



Anegre Wood Finish

Features

- Built-in armrests attached to the back to move with the user, supporting the sitter in every posture
- Simple and discreet height-adjustment lever seamlessly integrated into the seat
- Sitter's own weight automatically sets the recline tension
- Chair back is available in three rich wood finishes or 7 upholstery options with matching box-stitching
- Supports users up to 300 lbs in weight and 6'4" in height
- Warranty: 10-year on components; 5-year on upholstery and wood

DESCRIPTION	MEASUREMENT	
	in	mm
Seat Depth (from face of lumbar to front of seat)	18	457.2
Seat Height (from floor to compressed front of seat cushion)	15.5 - 20.5	393.7 - 520.7
Seat Width	18.25	463.55
Backrest Height (from seat cushion to top of backrest)	20.75	527.05
Backrest Width	17.25	438.15
Armrest Height (from compressed seat cushion to top of armrest)	8	203.2
Armrest Length (from face of lumbar to front of armrest)	11	279.4
Distance Between Armrests	17.25	438.15
Height	36.25 - 41.25	920.75 - 1,047.75
Base Diameter	25.5	647.7
Chair Width	28	711.2
Chair Depth	25.5	647.7
Upholstered Chair Weight	43 lbs.	19.5 kg
Wood Chair Weight	46 lbs.	20.9 kg

SUMMA Build Your Product Code

COMPONENT	CODE	BASE MODEL PRICE	\$4,569
STYLE	U1	Summa	-
BACK SHELL	UL	Upholstered Leather <i>(Available in black powder coated aluminum or polished aluminum frame)</i>	\$1,246
	WA	Anegre Wood <i>(Available in polished aluminum frame only)</i>	\$2,064
	VVW	Walnut Wood <i>(Available in polished aluminum frame only)</i>	\$2,064
	WE	Ebony Wood <i>(Available in polished aluminum frame only)</i>	\$2,064
FRAME COLOR	B	Black with Black Trim	-
	P	Polished Aluminum	\$395
SEAT/BACK TEXTILE	TL	Ticino Leather	\$1,240
TEXTILE COLOR	10	Obsidian <i>(Matching Stitch - N)</i>	-
	21	Umber <i>(Matching Stitch - A)</i>	-
	22	Canyon <i>(Matching Stitch - C)</i>	-
	12	Charcoal <i>(Matching Stitch - M)</i>	-
	11	Pebble <i>(Matching Stitch - Y)</i>	-
	31	Sand <i>(Matching Stitch - V)</i>	-
	13	Glacier <i>(Matching Stitch - W)</i>	-
BOX STITCHING <i>*Only Matching Box Stitching</i>	N	Noir	-
	C	Coffee	-
	M	Midnight	-
	A	Cocoa	-
	V	Vanilla	-
	Y	Light Grey	-
	W	White	-
SEAT TYPE	-	Standard Seat Pan	-
CYLINDER HEIGHT	-	Standard 5"	-
CASTERS	H	Standard Casters	-
	S	Soft Casters	\$35
	K	Locking Casters	\$166
FIRE PROOFING	-	Standard Plastics and Foams	-
SHIPPING	-	Individually Boxed	-

DIFFRIENT OCCASIONAL



Diffrient Occasional is a stackable multipurpose chair that is suitable for a variety of office and group settings. A strong, linear backrest made with proprietary non-stretch mesh creates a three-dimensional form — fitting the user like a perfectly tailored shirt. As with all of our mesh chairs, Occasional has a minimalist aesthetic and is supportive in all positions for long-term comfort.

- The lightweight chairs can be stacked up to five high for easy storage
- Long-lasting frame and durable urethane arms resist damage, even when moved and stacked
- Mesh pattern can be configured to match our Diffrient World task chair for a consistent aesthetic

Product Weight	21.5 lbs.
Product Height	36.68"
Product Width	23.23"
Product Depth	21.19"
Product Finishes	<i>Backrest Frame</i> - Black, Light Gray <i>Cantilever Base</i> - Black Powder Coat, Silver Powder Coat, Light Gray Powder Coat, Chrome 3

Build Your Product Code

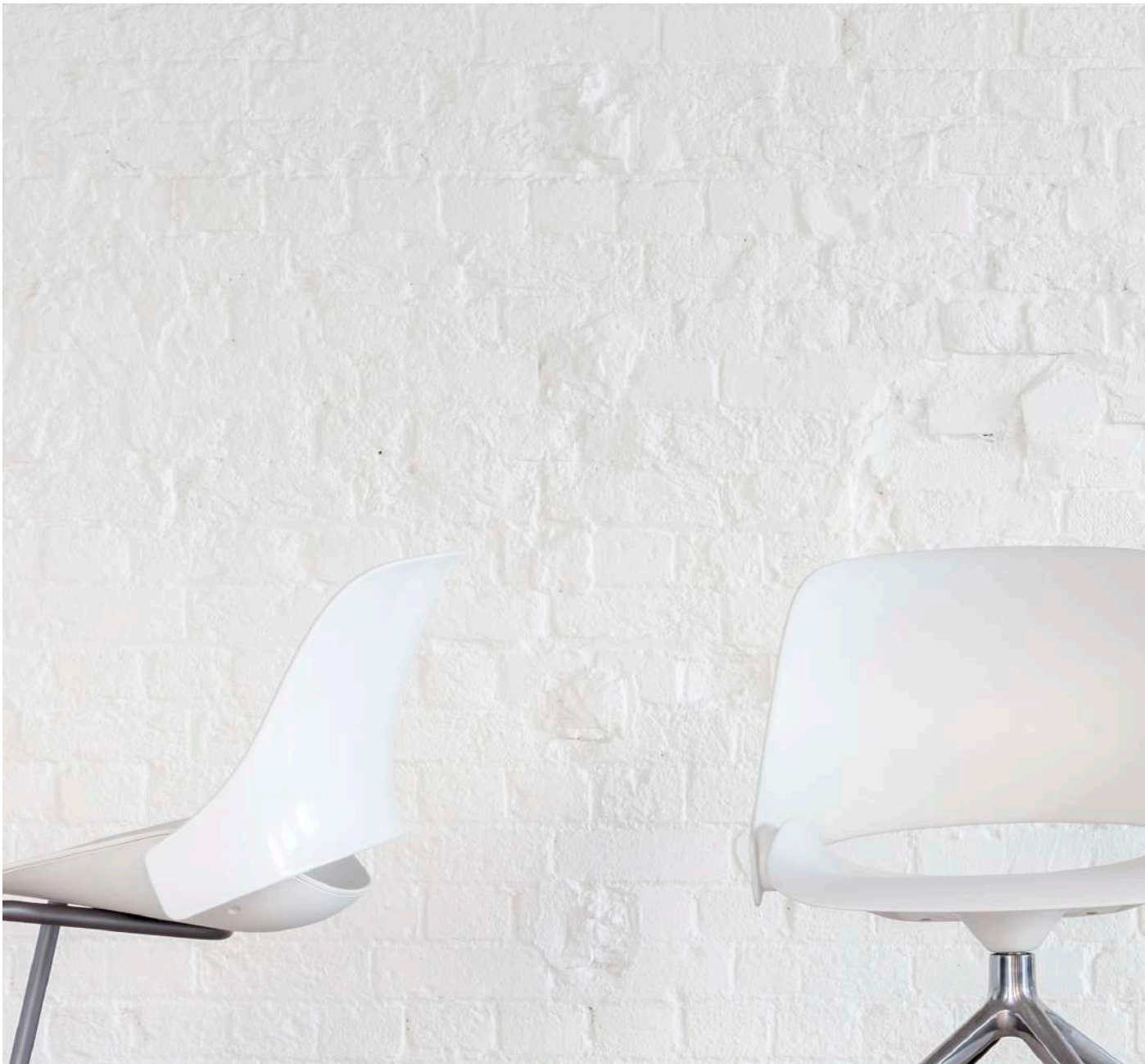
			Liberty 01	Smart 02	World 03
COMPONENT	CODE	Base Model Price	\$908	\$908	\$908
Frame Color	B	Black with Black Trim	-	-	-
	V	Silver with Gray Trim	-	N/A	-
	D	Silver with Dark Gray Trim	N/A	-	N/A
	T	Chrome 3 with Black Trim	\$104	\$104	N/A
	C	Chrome 3 with Gray Trim	\$104	N/A	N/A
	R	Chrome 3 with Dark Gray Trim	N/A	\$104	N/A
Backrest Mesh	M	Monofilament	-	-	-
	C	Silver Check	-	-	-
	N	Pinstripe	-	-	-
	A	Dash	-	-	-
	J	Catena	-	-	-
Mesh Color		See page 43 for mesh color options and codes			
Seat Textile		Textile Grade 1 (FT,K,CF)	\$28	\$28	\$28
		Textile Grade 2 (F)	\$62	\$62	\$62
		Textile Grade 3 (D)	\$130	\$130	\$130
		Leather Grade 1 (TL)	\$510	\$510	N/A
		Leather Grade 3 (CL)	\$1027	\$1027	N/A
Textile Color		See pages 41-43 and textile samples for color options and codes			
Fire Proofing	-	Standard Plastics & Foams	-	-	-
	C	CAL133 compliant	\$57	\$57	\$57
Shipping	-	Individually Boxed	-	-	-
	B	Blanket Wrapped	-	-	-

Replacement Parts

COMPONENT	CODE	TEXTILE GRADE 1	TEXTILE GRADE 2	TEXTILE GRADE 3	LEATHER GRADE 1	LEATHER GRADE 3
SEAT CUSHION	OCC121222	\$192	\$228	\$299	\$580	\$1152

**Leather only available on Smart and Liberty back versions*

MESH BACK	CODE	PRICE
Liberty Back	OCC1B3422	\$218
Smart Back	OCC2B3422	\$218
World Back	OCC3B3422	\$218



TREA

Created in collaboration with visionary designer Todd Bracher, Humanscale's Trea chair features a sophisticated design that embodies versatility. Engineered with an innovative solid state recline mechanism, Trea offers intuitive comfort, while its fresh yet classic aesthetic provides stylish support in office and home interiors. Available with a variety of base, finish and upholstery options, Trea can be customized for use in a variety of spaces.

TREA Features & Specifications

TREA QUICK SHIP SKUs

\$736

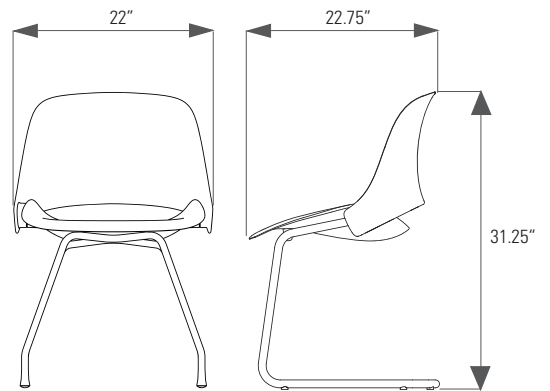
T100WWW-G--

Four Legs, White back, White Seat, Glides

\$1,136

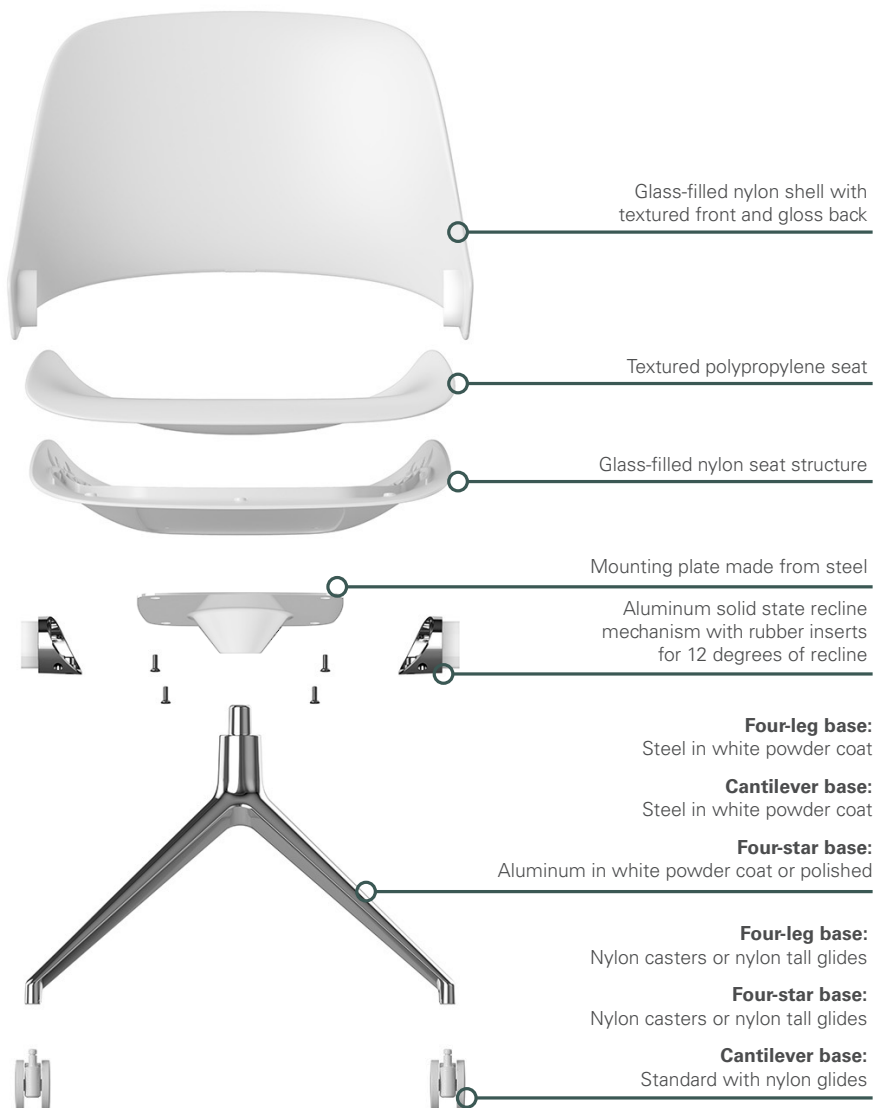
T300WWW-C--

Four Star Base, White back, White Seat, Hard Casters



WEIGHTS

- 20 lbs. (Four-leg)
- 21.75 lbs. (Cantilever)
- 20.5 lbs. (Four-star)



TREA Build Your Product Code

COMPONENT	CODE		LIST PRICE
LINE	T	Trea	-
STYLE	10	Four Legs	\$736
	20	Cantilever	\$856
	30	Four Star	\$1,136
FRAME FINISH	W	White powder coat - <i>Available with all base styles.</i>	-
	P	Polished Aluminum - <i>Only available with Four Star Bases</i>	\$178
BACKREST SHELL COLOR	W	White	-
SEAT SHELL COLOR	W	White - <i>Only available with White Backrest Shell</i>	-
SEAT PAD TEXTILE	-	No Seat Pad Selected	-
		Textile Grade 1 (FT,CF)	\$148
		Textile Grade 2 (F)	\$209
		Textile Grade 3 (D)	\$287
		Leather Grade 1 (TL)	\$673
		Leather Grade 3 (CL)	\$1,262
SEAT PAD TEXTILE COLOR	---	No Seat Pad Selected	-
		See pages 41-43 and textile samples for mesh color options and codes	-
CASTERS	G	Glides	-
	C	Hard Casters	\$45
	S	Soft Casters	\$52
	K	Hard Breaking Casters	\$59
	O	Soft Breaking Casters	\$67
FIREPROOFING	-	None - Standard Plastics & Foams	-
	C	CAL 133 <i>(only available on non-upholstered configurations)</i>	\$25

Only available with Four Legs & Four Star

Replacement Parts

COMPONENT	CODE	TEXTILE GRADE 1	TEXTILE GRADE 2	TEXTILE GRADE 3	LEATHER GRADE 1	LEATHER GRADE 3
SEAT CUSHION	TS1222	\$171	\$231	\$304	\$668	\$1258



BALLO

A fun sitting solution, Ballo is a multipurpose stool that is ideal for a wide range of environments. Designed by Don Chadwick, it reinvents the exercise ball, with a design that is appropriate for workplace settings while offering easier storage. Promoting short-term, active sitting, Ballo also encourages low intensity physical activity and helps to reduce sedentary behavior.

BALLO Features & Specifications



AIR-FILLED TOP AND BOTTOM DOMES

- The top and bottom non-slip, dimpled air domes are made from a thermoplastic vulcanizate (TPV) material, rather than PVC that is the industry standard and can off-gas.

LIGHTWEIGHT

- Lightweight at just 13.5 pounds and with cleverly designed hand holds, Ballo can be easily moved from space to space.

HANDLE HOLDS

- Ballo comes with handle holds for easy portability.

CENTRAL COLUMN

- Ballo's cone and spool column made out of polypropylene

BODY FIT

- Air-filled, non-slip dimpled domes shape to the body and provide a comfortable sitting experience.

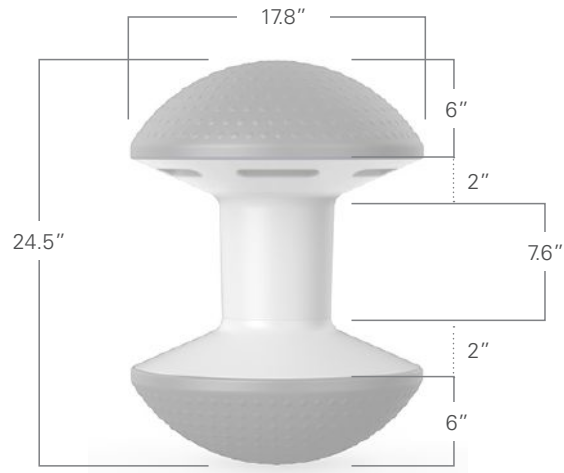
SAFE AND COMPACT

- Counterweighted base ensures Ballo remains upright for stable movement and convenient storage.

DURABLE AND ECO-FRIENDLY

- Ballo is made from eco-friendly, easy-clean and durable TPV materials which can be configured in various hues to add color to any space.
- Innovative spool-shaped central column is made from strong, long-lasting polypropylene and designed with clean lines to offer a modern aesthetic.

WEIGHT
• 13.5 lbs.
NOTE: ALL DIMENSIONS MEASURED AT .35 PSI ON EACH DOME



BALLO Build Your Product Code

COMPONENT	CODE	BASE MODEL PRICE	\$532
LINE	B	Ballo	-
STYLE	10	Standard	-
DOME COLOR	B	Black	-
	R	Red	-
	G	Gray	-
	E	Green	-
	S	Sky Blue	-
	U	Blue	-
	Y	Yellow	-
BODY COLOR	W	White	-
FIREPROOFING	-	None	-
	C	CAL 133-Approved Foams and Plastics	\$27
SHIPPING	-	Individually Boxed	-

REPLACEMENT PARTS	CODE	PRICE
Ballo Accessories		
Ballo Pump	BALLO_PUMP	\$19
Ballo Needle	BALLO_NEEDLE	\$2

----- A needle is included with each Ballo Pump



CINTO

Appropriate for a wide range of commercial and residential environments, Cinto sets a new standard for ergonomic stackable seating through unique design and manufacturing innovations. Spanish for "belt," Cinto features a floating backrest that is attached to the chair's frame via a flexible belt, allowing it to move with the body to provide recline and automatic lumbar support. For cool seated comfort, air vents on the backrest and seat pan enable air circulation.

CINTO Features & Specifications



BACKREST HANDLE

- Provides easy transport

FLEXIBLE BACKREST

- Attached to the chair's frame via a flexible belt, the floating backrest bends and adjusts with the sitter
- Flexibility of backrest creates virtual pivot point for automatic lumbar support
- No adjustments required

ARMREST OPTIONS

- Armless
- Fixed arms

VENTED SEAT PAN AND BACKREST

- Promotes air circulation and prevents "hot spots"

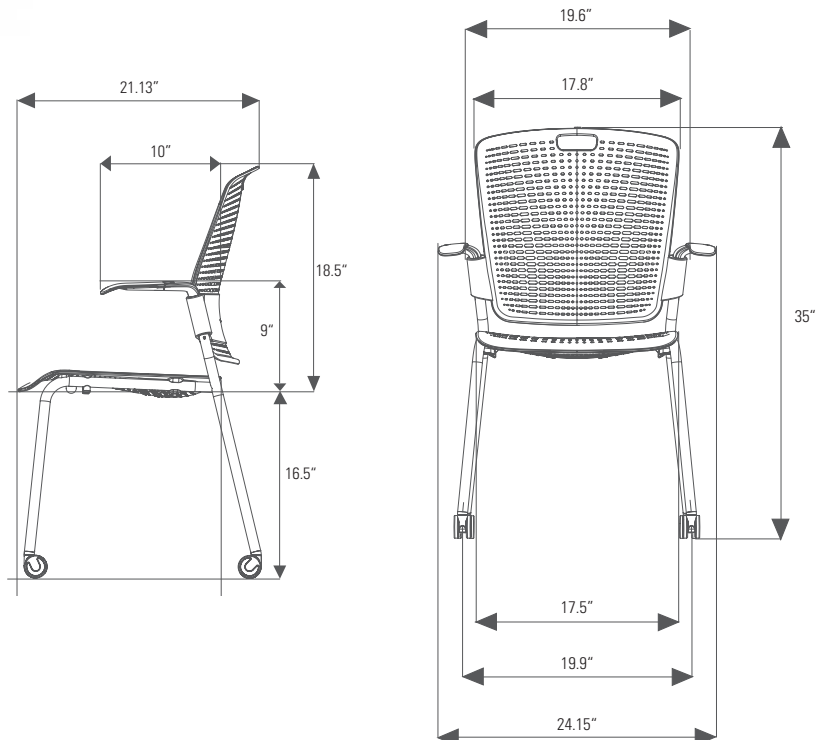
STACKABILITY

- Freestanding Cintos stack six chairs high
- Up to 15 chairs can be stacked on the optional Cinto Dolly

BASE OPTIONS

- Four legs on glides
- Four legs on casters

WEIGHT
<ul style="list-style-type: none"> • 9 lbs. Armless chair • 10 lbs. Fixed-Arm chair
CINTO DOLLY EMPTY
<ul style="list-style-type: none"> • Height 44" • Depth 41" • Width 26"
CINTO DOLLY FULLY STACKED WITH 15 CHAIRS
<ul style="list-style-type: none"> • Height 67" • Depth 41" • Width 26"
WEIGHT CAPACITY
<ul style="list-style-type: none"> • 300 lbs



CINTO Build Your Product Code

COMPONENT	CODE	BASE MODEL PRICE	\$308
LINE	C	Cinto	-
STYLE	1	Four Legs, Glides	-
	2	Four Legs, Casters	\$42
ARMRESTS	0	Armless	-
	5	Fixed Arms	\$73
FRAME COLOR	S	Silver	-
	B	Black	-
BACKREST, SEAT PAN COLOR	01	White - <i>Not available with CAL 133 Approval</i>	-
	10	Black	-
	15	Gray	-
	17	Taupe	-
	18	Light Gray - <i>Not available with CAL 133 Approval</i>	-
	33	Yellow	-
	41	Green - <i>Not available with CAL 133 Approval</i>	-
	52	Light Blue - <i>Not available with CAL 133 Approval</i>	-
	53	Blue	-
	72	Red - <i>Not available with CAL 133 Approval</i>	-
OPTIONAL SEAT PAD	—	No seat pad	-
	FT10	Fourtis Black	\$57
	FT12	Fourtis Granite	\$57
	FT56	Fourtis Nimbus	\$57
	FT68	Fourtis Hyacinth	\$57
FIREPROOFING	—	Standard Plastics	-
	C	CAL 133-Approved	\$29

PARTS & ACCESSORIES

	Code	CAL133 Available	Price
Replacement Parts			
Seat Pan	CRS 11		\$61
Seat Pan, CAL 133-Approved	CRS 11	C	\$73
Seat Pad*	CRP 4555		\$52
Casters (Black, Set of 4)	CRCAST		\$37
Glides (Set of 4)	CRGLIDE2		\$14
Arm Sleeves (Pair)	CRA3		\$31
Retrofit Armrest Kit (Pair)	CKA23		\$92

Accessories			
Cinto Dolly	CINTODLY		\$282

Any code containing a number refers to the component or textile that must be selected to order the replacement or retrofit part.

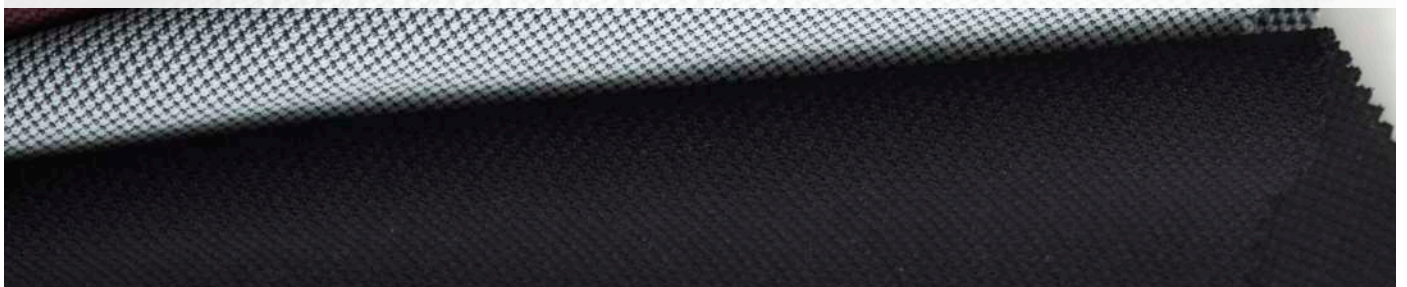
1- Backrest, Seatpan Color; 2 - Frame Color (S-Silver, B-Black); 3 - Trim Color (G-Gray, B-Black); 4 Textile Code (pages 41-42) 5 - Textile Color (pages 41-42)

*Seat Pad not available with CAL133



Textiles

The cushions on all Humanscale chairs utilize advanced technology developed primarily for the sportswear and sporting goods industries. In a single step, a high-tech molding process combines the textile, foam or Technogel®, and plastic support shell into a single, modular unit which can be attached to our seating with four screws. Because of this advanced process, the textiles used on the cushions are as unique as the rest of the chair, and satisfy requirements more demanding than typical upholstery textiles.



TEXTILES

*Living Product Challenge Approved



SENSUEDE		Code	Color
Textile Code: D	Textile Grade: 3	111	Ebony
Offering style and performance,		115	Pewter
Sensuede was developed to be the best and most luxurious engineered suede available. The silky feel is the result of recycled microfibers that are breathable, extra-strong, and resistant to most stains and wrinkles.		517	Persian

GINKGO		Code	Color
Textile Code: F	Textile Grade: 2	101	Black
Composed of 90% Wool, Ginkgo offers a pleasing texture and durability. Its subtle and elegant pattern makes this textile appropriate for a variety of environments. Ginkgo comes in vibrant and saturated colors, expanding the scope of Human-scale's upholstery line.		197	Charcoal
		281	Walnut
		315	Wheat
		463	Green
		507	Navy
		556	Storm
		568	Horizon
		816	Harvest Orange

LOTUS*		Code	Color
Textile Code: K	Textile Grade: 1	101	Black
Water repellant and easy to clean, Lotus is an ideal textile for the healthcare and hospitality environments. Its polyurethane finish with nylon backing boasts a soft texture that is pleasant to the touch while offering exceptional durability.		128	White
		158	Shale
		182	Hematite
		2C4	Umber
		281	Walnut
		302	Ochre
		459	Verdant
		507	Navy
		603	Plum
		608	Crocus
		624	Eggplant
		757	Earth Red
		758	Lucky Red

CORDE 4*		Code	Color
Textile Code: CF	Textile Grade: 1	10	Black
Corde 4 is a four-way stretch design which moves with the sitter as they adjust positions in their chair, providing ultimate comfort. Its intricate weave structure, dimensional surface and wide array of neutral and vibrant shades are visually appealing and engaging to the touch.		12	Graphite
		21	Dark Brown
		22	Driftwood
		43	Balsam
		45	Peacock
		52	Thalo
		56	Medium Gray
		57	Navy
		58	Azure
		62	Deep Violet
		78	Parma Red
		86	Pumpkin

FOURTIS*		Code	Color
Textile Code: FT	Textile Grade: 1	10	Black
Fourtis is a four-way stretch fabric that easily conforms to our cushions for the ultimate in comfort and flexibility. While still adjustable, its satin crepe weave structure is highly durable and creates a strong, high-performance fabric.		12	Granite
		16	Ash
		44	Alaria
		49	Clover
		56	Nimbus
		57	Navy
		63	Boysenberry
		68	Hyacinth
		78	Winterberry



LEATHERS

NOTE: Only matching stitch or contrast stitch options may be selected with each leather color

Ticino		Code	Color	Matching Stitch Code	Contrast Stitch Code
Textile Code: TL	Leather Grade: 1	10	Obsidian	N	B, R, V
Ticino is a semi-aniline dyed leather available in a variety of rich colors inspired by nature. It is a top, corrected grain leather to create a more natural aesthetic and ensure the leather remains as unique as the hide itself.		11	Pebble	Y	–
		12	Charcoal	M	Y
		13	Glacier	W	–
		21	Umber	A	–
		22	Canyon	C	–
		31	Sand	V	–

Corvara		Code	Color	Matching Stitch Code	Contrast Stitch Code
Textile Code: CL	Leather Grade: 3	10	Onyx	N	B, R, V
Corvara is a semi-aniline dyed leather that offers a smooth, silky feel and ultimate durability. It is a top, full grain leather that is embossed lightly for a consistent, uniform grain structure.		11	Mineral	V	–
		21	Java	A	–
		23	Saddle	T	–
		57	Midnight	N	Y
		71	Jasper	H	–

Leather Stitching Options	Code	Color
Choose a stitch color to match or contrast your choice of leather.	V	Vanilla
	M	Midnight
	N	Noir
	C	Coffee
	Y	Light Grey
	W	White
	T	Tan
	A	Cocoa
	H	Cherry
	B	Blue
	R	Red



MESH

All Mesh Options are Living Product Challenge Approved



MONOFILAMENT STRIPE	Code	Color
Mesh Code: M	10	Black
Using only monofilament yarns that are thin and strong, a simple but classic stripe pattern is achieved through weave structure and yarn placement. This pattern has slight elasticity but terrific memory.	11	Carbon
	14	Platinum
	41	Green
	51	Atlantic
	81	Amber

SILVER CHECK	Code	Color
Mesh Code: C	12	Alloy
This unique translucent pattern is achieved using monofilament and a silver-plated yarn spun with polyester at its core. More than simply an aesthetic choice, the silver-plated yarn gives the textile flexibility and strength.	32	Topaz

PINSTRIPLE	Code	Color
Mesh Code: N	01	White
Designed specifically to work with the Diffrient World Chair, this lightweight fabric provides the strength and support of a much heavier mesh by using two different monofilament stretch yarns to provide proper support.	02	Silver
	03	Graphite
	10	Black
	34	Cadmium Yellow
	43	Citron
	58	Cyan
	74	Crimson

TEXTILE PURCHASE PROGRAM

All Humanscale textiles (with the exception of Leather, Sensuede) are available for purchase by the linear yard. The prices below are net (standard discounts do not apply). A \$20 cut charge will apply to each order. Please see your Humanscale representative for more information.

Monofilament Stripe	\$79/yard (50" width)
Silver Check	\$92/yard (53" width)
Lotus	\$47/yard (54" width)
Ginkgo	\$99/yard (51" width)
Dash	\$99/yard (48" width)
Pinstripe	\$86/yard (48" width)
Catena	\$79/yard (52" width)
Corde 4	\$57/yard (50" width)
Fourtis	\$52/yard (50" width)

CATENA	Code	Color
Mesh Code: J	10	Black
Catena's dense and rich hues are inspired by the vibrant spice markets of India. When used as a backrest textile, this proprietary non-stretch mesh provides a customized lumbar support through its tri-panel patented design that fits the user like a tailored shirt.	35	Bayberry
	50	Cornflower
	1A	Poppy Seed
	1B	Caraway

DASH	Code	Color
Mesh Code: A	14	Platinum
Designed to resemble embroidery floss, Dash is stronger, more responsive, lighter weight and uses less material than most mesh textiles. It gives the user support, comfort and ease of movement, while meeting Humanscale's seating requirements.	19	Zinc

CUSTOM COLORS

Textiles:

Most Humanscale textiles are available in any customer-specified color. Delivery time frames for custom color orders will depend on color approval. A surcharge of \$50 per chair will apply to custom color orders. The minimum order quantity for these fabrics are as follows:

Lotus, Ginkgo:

Freedom Task + Headrest	200 chairs
Liberty Task	400 chairs
Diffrient Smart	400 chairs
Freedom Saddle	400 chairs
Freedom Pony Saddle	600 chairs

Non-Stocked Colors:

Sensuede can be ordered in any color standard to these textile lines, even if it isn't stocked by Humanscale. Ordering any non-stocked color may impact the lead time for delivery. The minimum order quantity for these fabrics are as follows:

Sensuede:

Freedom Task + Headrest	50 chairs
Liberty Task	100 chairs
Diffrient Smart	100 chairs
Freedom Saddle	100 chairs
Freedom Pony Saddle	150 chairs

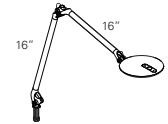
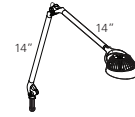
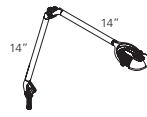




Lighting

Task lighting is an integral part of the ergonomic workstation, and each of Humanscale's task lights provides exceptional levels of bright, comfortable light. Yielding both ergonomic and economic benefits, Humanscale's comprehensive lighting line fits any needs, whether you desire performance, efficiency, ease of use, or all of the above.

Build Your Element™ LED Light Product Code

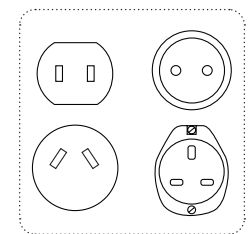


COMPONENT	CODE		790	Vision	Disc	Disc XL
STYLE	ED	Element 790 5-Watt Hi-Output MCX LED with Smart Dimmer	\$401	N/A	N/A	N/A
	EV	Element Vision: 7-Watt Hi-Output MCX LED with Smart Dimmer and Occupancy Sensor	N/A	\$473	N/A	N/A
	EC	Element Disc: 7-Watt Thin Film LED Technology with Smart Dimmer and Occupancy Sensor	N/A	N/A	\$657	N/A
	EX	Element Disc XL: Extended Arms, 7-Watt Thin Film LED Technology with Smart Dimmer and Occupancy Sensor	N/A	N/A	N/A	\$699
PLUG	E	North America	-	-	-	-
	U	Universal (4 interchangeable plugs)	\$5	\$5	\$5	\$5
	G	6-15P NEMA (specialty)	N/A	N/A	N/A	N/A
MOUNT (See next page for mount specifications)	C	Clamp	-	-	-	-
	G	Clamp with Grommet Cover	\$12	\$12	\$12	\$12
	T	2-Piece Clamp with Theft Deterrent	\$43	\$43	\$43	\$43
	PA	Panel Mount - Herman Miller Action Office	\$31	\$31	\$31	\$31
	PR	Panel Mount - Herman Miller Resolve	\$31	\$31	\$31	\$31
	PI	Panel Mount - Teknion IE	\$31	\$31	\$31	\$31
	U	Universal Panel Mount	\$31	\$31	\$31	\$31
	Y	Element Tech Base (2 - 120V outlets)	\$174	\$174	\$174	\$174
	X	Element Tech Base (2 USB + 1 120V)	\$168	\$168	\$168	\$168
	E	Steelcase C-Scape Mount Kit	\$31	\$31	\$31	\$31
	W	Wall Mount	-	-	-	-
	A	Humanscale Access Rail	-	-	-	-
	B	Element Desktop Base	\$62	\$62	\$62	\$62
	R	Direct with Theft Deterrent	\$31	\$31	\$31	\$31
S	Universal Slatwall	-	-	-	-	
N	No Mount	-	-	-	-	
COLOR	S	Silver (semi-matte)	-	-	-	-
	W	Arctic White (high gloss)	-	-	-	-
	B	Jet Black (semi-matte)	\$31	\$31	\$32	\$32
OPTIONAL ACCESSORIES	Q	Extension Cord 10' (300 cm)	\$12	\$12	\$12	\$12
	H	External Power Switch, North America	\$18	\$18	\$18	\$18

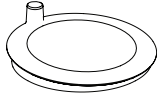
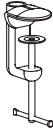
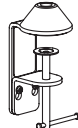
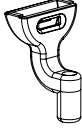

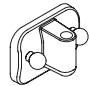
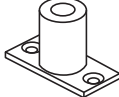

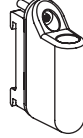

ELEMENT LIGHT REPLACEMENT PARTS (if purchased seperately)

Element Desktop Base	ELBS (silver) ELBW (white) ELBB (black)	\$102	Direct with Theft Deterrent	ELRS (silver) ELRB (black) ELRW (white)	\$72
Element Tech Base (1 USB + 1-120V outlet)	ELXW (white) ELXB (black) ELXS (silver)	\$220	Universal Panel Mount	DLUS (silver) DLUB (black) ELUW (white)	\$42
Element Tech Base (2-120V outlets)	ELYW (white) ELYB (black) ELYS (silver)	\$264	Panel Mount <small>(1): Panel System Code, (2): Color (B or S)</small>	DL(1 1 2)	\$72
Humanscale Access Rail	DLAS (silver) DLAB (black)	\$42	Steelcase C-Scape Mount Kit	ELES	\$72
Clamp	DLCS (silver) ELCW (white) DLCB (black)	\$42	Extension Cord 10' (300 cm)	ELCORD10	\$22
2-Piece Clamp with Theft Deterrent	ELTS (silver), ELTB (black) ELTW (white)	\$90	External Power Switch	ELSWITCH	\$26
Wall	DLWS (silver) DLSB (black)	\$42	Grommet Cover <i>For use with Clamp Mount C</i>	DLGC (black)	\$12
			North American Plug Set	ELPLUGE	\$42
			Universal Plug Set	ELPLUGU	\$60
			6-15P NEMA Plug Set	ELPLUGG	N/A

NOTE:
Element Classic EL light is available by special order only.

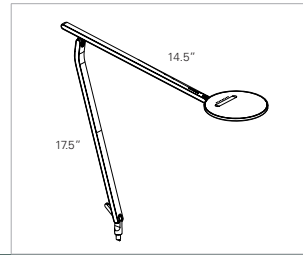


ELEMENT LIGHT MOUNT OPTIONS

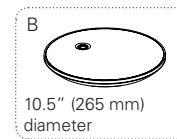
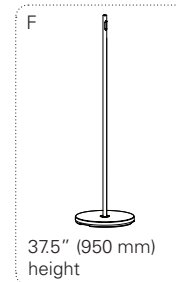
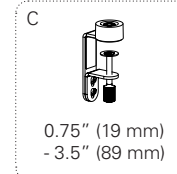
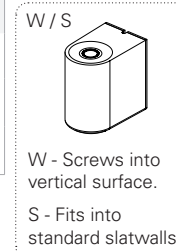
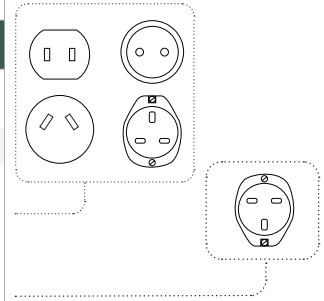
		
<p>B \$62</p> <p>Element Desktop Base 8" (200 mm) diameter</p>	<p>Y \$174</p> <p>Element Tech Base (2-120V convenience outlets) 8" (200 mm) diameter. Two three-pronged outlets. 8 Amps maximum total load.</p>	<p>X \$168</p> <p>Element Tech Base (2 USB + 1-120V convenience outlet) 8" (200 mm) diameter. One USB port and one three-pronged outlet. 8 Amps maximum total load.</p>
		
<p>C N/C</p> <p>Clamp For grommet or edge mount. Fits surfaces up to 2" (50 mm) thick and grommet holes 2" (50 mm) wide.</p>	<p>G \$12</p> <p>Clamp with Grommet Cover For grommet holes 2" – 3.25" (50-80 mm) in diameter. Grommet cover ships Black.</p>	<p>T \$43</p> <p>2-Piece Clamp with Theft Deterrent Requires minimum 1/4" (6 mm) clearance between desk and wall or panel. (Replaces Mount "K")</p>
		
<p>A N/C</p> <p>Humanscale Access Rail</p>	<p>R \$31</p> <p>Direct with Theft Deterrent Screws into horizontal surface. (Replaces Mount "D")</p>	<p>S N/C</p> <p>Universal Slatwall Adjusts to fit most standard slatwalls.</p>
		
<p>U \$31</p> <p>Universal Panel Mount Adjusts to fit most panels that use vertical slotted rails for mounting accessories. Not compatible with corner applications.</p>	<p>E \$31</p> <p>Steelcase C-Scape Mount Kit Ships Silver for all orders.</p>	<p>W N/C</p> <p>Wall Screws into vertical surface.</p>
		
<p>PA \$31</p> <p>Panel Mount for Herman Miller Action Office</p>	<p>PR \$31</p> <p>Panel Mount for Herman Miller Resolve</p>	<p>PI \$31</p> <p>Panel Mount for Teknion IE</p>

NOTE: The above systems are special and do not work with the Universal Panel Mount (U). Not compatible with corner mount applications.

Color Note: All Silver lights ship with Silver mounts. All Black lights ship with Black mounts. All White lights ship with White mounts, except panel mounts (PA, PR, PI), Access Rail (A), and wall mounts (W), which ship Silver.



COMPONENT	CODE	DESCRIPTION	LIST PRICE
LINE	NF	Infinity Task Light: 8-Watt LED Technology with Smart Dimmer and Occupancy Sensor	\$720
VERSION	3	3000K	-
PLUG	E	North America	-
	U	Universal (4 blades)	\$5
	A	South Africa (Universal set plus additional blade)	\$5
	G	6-15P NEMA (specialty)	\$10
	N	No Plug Set	-
MOUNT	B	Desktop Base	\$124
	F	Floor Stand	\$227
	C	Clamp	-
	W	Wall	-
	S	Universal Slatwall	N/A
	N	No Mount	-
COLOR <i>Desktop Base, Floor Stand and Clamp Mount ship in matching colors to light. Wall Mount and Universal Slatwall ship in polished aluminum only.</i>	B	Ash Black, Semi-Matte	-
	W	Linen White, Semi-Matte	-
	L	Slate Blue, Semi-Matte	-



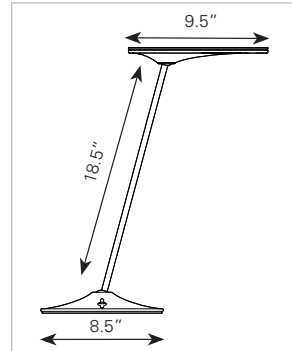
Infinity Accessories

CODE	DESCRIPTION	LIST PRICE
INCABLE	Power cord extension for Infinity Floor Lamp, 3.3 ft (1m)	\$15.60

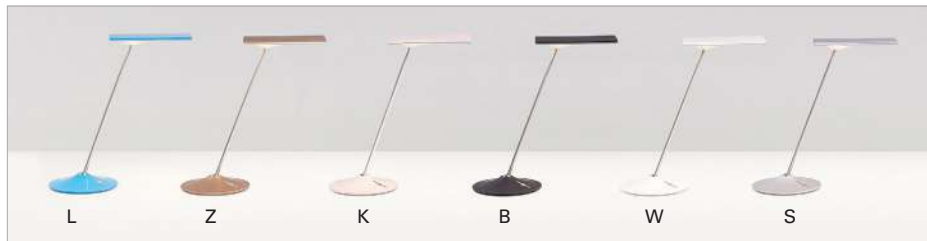
Infinity Replacement Parts (if purchased seperately)

CODE	DESCRIPTION	LIST PRICE
NFBB	Infinity Desktop Base, Ash Black	\$144
NFBW	Infinity Desktop Base, Linen White	\$144
NFBL	Infinity Desktop Base, Slate Blue	\$144
NFCB	Infinity Clamp, Adjustable, Ash Black	\$72
NFCW	Infinity Clamp, Adjustable, Linen White	\$72
NFCL	Infinity Clamp, Adjustable, Slate Blue	\$72
NFFB	Infinity Floor Stand, Ash Black	\$288
NFFW	Infinity Floor Stand, Linen White	\$288
NFFL	Infinity Floor Stand, Slate Blue	\$288
NFWP	Infinity Wall Mount, Natural	\$72
NFSP	Infinity Universal Slotwall, Natural	\$72

HORIZON 2.0 Build Your Product Code



COMPONENT	CODE		LIST PRICE
STYLE	H2B	Horizon 2.0 Light	\$587
PLUG	E	North America	-
	U	Universal (4 interchangeable plugs)	\$5
	G	6-15P NEMA (specialty)	N/A
COLOR	L	Twilight Blue (high gloss)	-
	Z	Bronze Gold (semi-matte)	-
	K	Morning Pink (light pink) (high gloss)	-
	B	Jet Black (semi-matte)	-
	W	Artic White (high gloss)	-
	S	Silver (semi-matte)	-



GENERAL LIGHTING ACCESSORIES

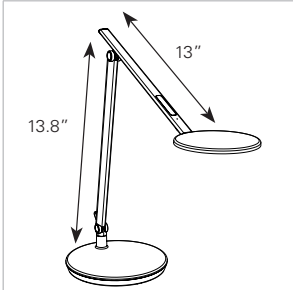
OCCUPANCY SENSOR POWER STRIP

OCCSTRIP \$288

8-outlet power strip with energy-saving personal occupancy sensor

NOTE:
For all other mount styles (non-base), see Element Light Replacement Parts on the previous page.

NOVA Build Your Product Code



COMPONENT	CODE		LIST PRICE
STYLE	NV	Nova Task Light	\$619
	NX	Nova Task Light with Extended Arms	\$659
COLOR TEMPERATURE	3	3000 K	-
	4	4000 K	\$12
PLUG	E	North America	-
MOUNT	C	Clamp	-
	Y	Charging Desktop Base	\$195
	B	Desktop Base	\$60
	S	Universal Slatwall	-
	W	Wall Mount	-
	N	No Mount	-
COLOR	G	Light Grey, Matte	-
	B	Jet Black, Matte	-
	W	Arctic White	-

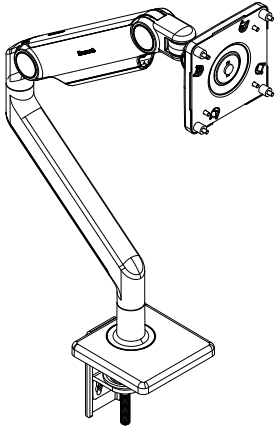
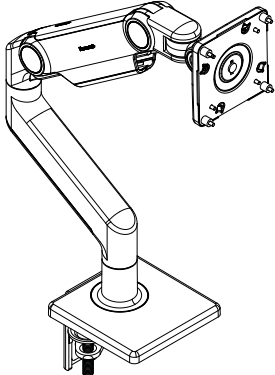
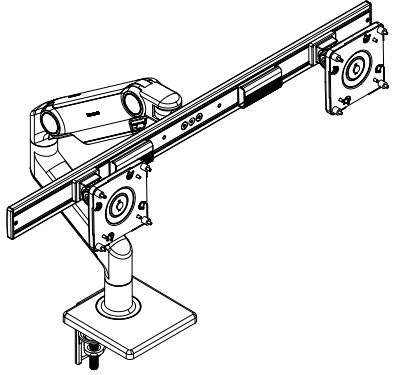


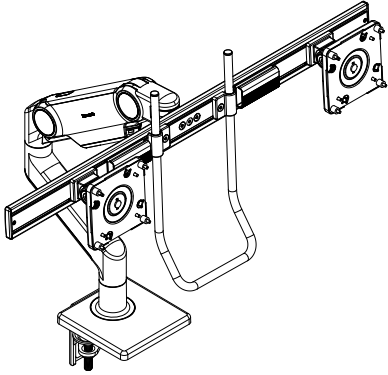
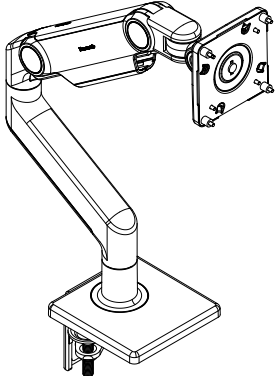
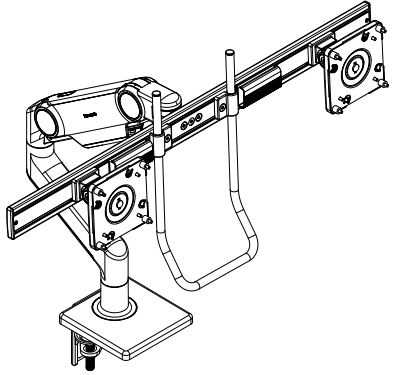
New M2.1 / M8.1 / M10 Monitor Arms

In today's fast-paced, fully connected digital world, there's no time for discomfort. Humanscale's next generation monitor arm line instantly personalizes any workspace for improved comfort, health and productivity.

Designed for unprecedented adaptability in the agile workspace, our monitor arms focus on sustainability and the use of technology, while featuring ultra-sleek aesthetics and a reduced cost of ownership.

NEW M2.1/M8.1 QUICK SHIP CONFIGURATIONS

M2.1		M8.1		M8.1 Crossbar	
					
M21CMXBTB	\$440	M81CMXBTB	\$690	M81CMXB2B	\$881
M2.1, Clamp Mount, Angled/Dynamic Links, Standard Tilt with black VESA cover		M8.1, Clamp Mount, Angled/Dynamic Links, Standard Tilt with black VESA cover		M8.1 with Crossbar, Clamp Mount, Angled/Dynamic Links, with black VESA cover	

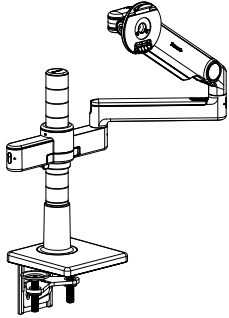
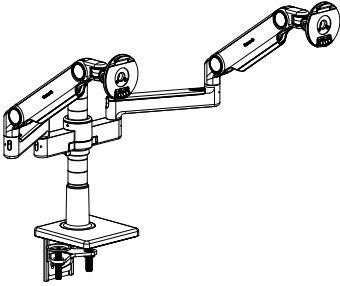
M8.1 Dual Crossbar with Handle		M10		M10 Dual Crossbar with Handle	
					
M81CMXBHB	\$987	M10CMXBTB	\$817	M10CMXBHB	\$1,114
M8.1 with Dual Crossbar and Handle, Clamp Mount, Angled/Dynamic Links with black VESA cover		M10, Clamp Mount, Angled/Dynamic Links, Standard Tilt with black VESA cover		M10 with Dual Crossbar and Handle, Clamp Mount, Angled/Dynamic Links with black VESA cover	

Note: X denotes color. Substitute S for Silver with gray trim, W for Polished with white trim or B for all black

Shipping Lead Times

	QUICK SHIP	CONFIGURABLES
1 - 25 Units	2-Days	5-Days
26 - 100 Units	2-Days	10-Days
101 - 400 Units	10-Days	20-Days

NEW M/FLEX QUICK SHIP CONFIGURATIONS

M/Flex with Single M2.1		M/Flex with Dual M2.1	
			
X2ACMxETB12	\$646	X2BCMxETBETB12	\$964
M/Flex with Clamp Mount, B12 Bracket, with 1 Straight/Dynamic Link, Standard Tilt, 12 Post with black VESA cover <i>x denotes color: W for polished/white, S for silver</i>		M/Flex with Clamp Mount, B12 Bracket, with 2 Straight/Dynamic Links, Standard Tilt, 12 Post with black VESA covers <i>x denotes color: W for polished/white, S for silver</i>	

M2.1 Dual Desk Mount w/ Triple Link	
	
X22CMXMTBMTB	\$965
M2.1 Dual Desk Mount, Clamp Mount, 4" Straight/Angled/Dynamic Links, Standard Tilt with black VESA cover	

Shipping Lead Times

	QUICK SHIP	CONFIGURABLES
1 - 25 Units	2-Days	5-Days
26 - 100 Units	2-Days	10-Days
101 - 400 Units	10-Days	20-Days

M2.1 / M8.1 / M10 Build Your Product Code

COMPONENT	CODE		List Price		
			M2.1	M8.1	M10
PRODUCT GROUP	M21	M2.1 Monitor Arm	-	-	-
	M81	M8.1 Monitor Arm	-	-	-
	M10	M10 Monitor Arm	-	-	-
MOUNT see additional Mount codes on the following pages <i>*12" Links and Triple Links are not permitted with M10 when a technology base is selected</i>	NM	No Mount	-	-	-
	CM	Two-Piece Clamp Mount with Base	\$133	\$167	\$167
	BT	Bolt-Thru Mount with Base	\$78	\$123	\$123
	SM	Universal Slatwall Mount	\$123	\$145	\$145
	HM	Direct Hardwall Mount	\$123	\$145	\$145
	DM	Combo Mount – Clamp & Bolt-Through	\$179	\$211	\$211
	TC	M/Power with Standard Clamp Mount	\$423	\$423	N/A
	KC	M/Connect 2 with Standard Clamp Mount	\$1,190	\$1,190	N/A
COLOR	S	Silver with Gray Trim	-	-	-
	W	Polished Aluminum with White Trim	-	-	-
	B	Black with Black Trim	-	-	-
Arm Style Step 1 Link Selection <i>See additional Link codes on the following pages</i> <i>Ships unassembled, link order not a factor</i> <i>If selecting multiple arms, repeat Arm Style Steps 1,2 and 3 for each arm</i>	N	No Arm Link	-	-	-
	D	Dynamic Link	\$189	\$322	\$457
	B	Angled Link/Dynamic Link	\$251	\$445	\$579
	C	4" Straight Link/Dynamic Link	\$245	\$467	\$601
	E	8" Straight Link/Dynamic Link	\$256	\$489	\$624
	F	12" Straight Link/Dynamic Link	\$278	\$512	\$646
	G	4" Straight Link/8" Straight Link	\$123	\$290	\$290
	H	4" Straight Link/12" Straight Link	\$145	\$312	\$312
	J	8" Straight Link/8" Straight Link	\$133	\$312	\$312
	K	8" Straight Link/12" Straight Link	\$155	\$334	\$334
	L	12" Straight Link/12" Straight Link	\$179	\$356	\$356
	M	4" Straight Link/Angled Link/Dynamic Link	\$307	\$579	\$712
	P	4" Straight Link/8" Straight Link/Dynamic Link	\$312	\$624	\$757
Q	4" Straight Link/12" Straight Link/Dynamic Link	\$334	\$646	\$779	
R	4" Straight Link/8" Straight Link/12" Straight Link	\$211	\$467	\$467	
Arm Style Step 2 End Style Selection <i>* Sliders and Crossbars only available in Silver and Black.</i>	N	No End (Only available with No Arm Link)	-	-	-
	T	Standard Monitor Tilt (one per monitor)	\$78	\$111	\$111
	S	Slider For Single Monitor	\$245	\$278	\$278
	2	Crossbar for 2 monitors	N/A	\$312	\$312
	H	Crossbar for 2 monitors, with Handle	N/A	\$423	\$423

M2.1 / M8.1 / M10 (cont.)

			List Price		
COMPONENT	CODE		M2.1	M8.1	M10
Arm Style Step 3 VESA Bracket Selection	N	No VESA Plate	-	-	-
	G	Standard 100mm x 100mm, gray	-	-	-
	B	Standard 100mm x 100mm, black	-	-	-
	W	Standard 100mm x 100mm, white	-	-	-
	Y	100mm x 200mm, gray	\$34	\$34	\$34
	K	100mm x 200mm, black	\$34	\$34	\$34
	J	200mm x 200mm, black	\$47	\$47	\$47
	D	Dell QA VESA Plate, black	\$34	\$34	\$34
	R	Dell QA VESA Plate, gray	\$34	\$34	\$34
	O	Offset VESA Plate, black	\$34	\$34	\$34
	S	Offset VESA Plate, gray	\$34	\$34	\$34
	A	Adapter Bracket, black	\$34	\$34	\$34
	Z	Adapter Bracket, gray	\$34	\$34	\$34
	H	Single Monitor Handle On Accessories Bracket, Black	\$140	\$140	\$140
	E	Single Monitor Handle On Accessories Bracket, Gray	\$140	\$140	\$140
	M	Medium Thin Client Holder, Black	\$133	\$133	\$133
	T	Medium Thin Client Holder, Gray	\$133	\$133	\$133
L	Large Thin Client Holder, Black	\$140	\$140	\$140	
C	Large Thin Client Holder, Gray	\$140	\$140	\$140	
POWER CORD PLUG STYLE	NA	North America	-	-	-
	EU	Europe	-	-	-
	UK	United Kingdom	-	-	-
	AU	Australia	-	-	-
	SP	Singapore	-	-	-
	CH	China	-	-	-
	HK	Hong Kong	-	-	-
	ID	Indonesia	-	-	-
	NZ	New Zealand	-	-	-
	MX	Mexico	-	-	-
	JP	Japan	-	-	-
	SK	South Korea	-	-	-

..... Available with both **M/Connect** and **M/Power**

..... Only available with **M/Connect**

M2.1 / M8.1 / M10 / Additional Mounts

COMPONENT	CODE		List Price		
			M2.1	M8.1	M10
Additional Mounts	F1	Frame One Mount	\$133	\$133	\$133
<i>*12" Links and Triple Links are not permitted with M10 when a technology base is selected</i>	CS	c:scape Mount	\$133	\$133	\$133
	C2	Sliding Desk Clamp Mount, 12mm	\$133	\$167	\$167
	C8	Sliding Desk Clamp Mount, 18mm	\$133	\$167	\$167
	C5	Sliding Desk Clamp Mount, 25mm	\$133	\$167	\$167
	C0	Sliding Desk Clamp Mount, 30mm	\$133	\$167	\$167
	T2	M/Power with Sliding Desk Clamp Mount, 12mm	\$423	\$423	N/A
	T8	M/Power with Sliding Desk Clamp Mount, 18mm	\$423	\$423	N/A
	T5	M/Power with Sliding Desk Clamp Mount, 25mm	\$423	\$423	N/A
	T0	M/Power with Sliding Desk Clamp Mount, 30mm	\$423	\$423	N/A
	K2	M/Connect 2 with Sliding Desk Clamp Mount, 12mm	\$1,190	\$1,190	N/A
	K8	M/Connect 2 with Sliding Desk Clamp Mount, 18mm	\$1,190	\$1,190	N/A
	K5	M/Connect 2 with Sliding Desk Clamp Mount, 25mm	\$1,190	\$1,190	N/A
	K0	M/Connect 2 with Sliding Desk Clamp Mount, 30mm	\$1,190	\$1,190	N/A

M2.1 / M8.1 / M10 / Additional Arm Styles

COMPONENT	CODE		List Price		
			M2.1	M8.1	M10
Additional Arm Styles	4	4" Straight Link	\$56	\$133	\$133
Arm Style Step 1	8	8" Straight Link	\$67	\$155	\$155
	1	12" Straight Link	\$89	\$179	\$179
	S	Angled Link/4" Straight Link	\$117	\$256	\$256
	T	Angled Link/8" Straight Link	\$128	\$278	\$278
	U	Angled Link/12" Straight Link	\$150	\$300	\$300
	V	4" Straight Link/4" Straight Link	\$111	\$267	\$267
	W	Angled Link/4" Straight Link/4" Straight Link	\$172	\$390	\$390
	Y	Angled Link/8" Straight Link/4" Straight Link	\$184	\$412	\$412
	Z	Angled Link/12" Straight Link/4" Straight Link	\$206	\$434	\$434
	2	4" Straight Link/4" Straight Link/Dynamic Link	\$300	\$601	\$735
	3	4" Straight Link/4" Straight Link/4" Straight Link	\$167	\$401	\$401
	5	8" Straight Link/4" Straight Link/4" Straight Link	\$179	\$423	\$423
	7	12" Straight Link/4" Straight Link/4" Straight Link	\$201	\$445	\$445
	9	8" Straight Link/8" Straight Link/4" Straight Link	\$189	\$445	\$445

New M/Flex Build Your Product Code

			List Price		
COMPONENT	CODE		M2.1	M8.1	M10
PRODUCT GROUP	X2	M/Flex for M2.1 Monitor Arm	-	-	-
	X8	M/Flex for M8.1 Monitor Arm	-	-	-
	X1	M/Flex for M10 Monitor Arm	-	-	-
BRACKET STYLE <i>- 2 is only available with mounts CM, BT, DM, C2, C8, C5 and C0</i> <i>- G is only available with M/Connect 2 and M/Power</i>	N	No Bracket	-	-	-
	A	Dual Bracket for 1 Monitors	\$150	\$223	\$223
	B	Dual Bracket for 2 Monitors	\$150	\$223	\$223
	C	Bracket For 3 Monitors	\$211	\$261	\$261
	D	One Single Monitor Bracket	\$109	\$137	\$137
	E	Two Single Monitor Brackets	\$218	\$273	\$273
	F	Three Single Monitor Brackets	\$328	\$410	\$410
	2	Dual Desk Mount (No Post)*	\$111	N/A	N/A
	G	Dual Desk Mount For Tech*	-	N/A	N/A
MOUNT	NM	No Mount	-	-	-
	CM	Two-Piece Clamp Mount with Base	\$133	\$133	\$133
	BT	Bolt-Through Mount with Base	\$78	\$78	\$78
	DM	Combo Mount – Clamp & Bolt-Through	\$211	\$211	\$211
	M1	M/Connect 1, USB Dock integrated into arm base	\$753	\$753	N/A
	TC	M/Power with Standard Clamp Mount	\$423	\$423	N/A
	KC	M/Connect 2 with Standard Clamp Mount	\$1,190	\$1,190	N/A
COLOR	S	Silver with Gray Trim	-	-	-
	W	Polished Aluminum with White Trim	-	-	-
	B	Black with Black Trim	-	-	-
Arm Style Step 1 Link Selection <i>*see additional Link codes on the following pages</i> <i>**Ships unassembled, link order not a factor</i>	N	No Arm Link	-	-	-
	D	Dynamic Link	\$189	\$322	\$457
	B	Angled Link/Dynamic Link	\$251	\$445	\$579
	C	4" Straight Link/Dynamic Link	\$245	\$467	\$601
	E	8" Straight Link/Dynamic Link	\$256	\$489	\$624
	F	12" Straight Link/Dynamic Link	\$278	\$512	\$646
	G	4" Straight Link/8" Straight Link	\$123	\$290	\$290
	H	4" Straight Link/12" Straight Link	\$145	\$312	\$312
	J	8" Straight Link/8" Straight Link	\$133	\$312	\$312
	K	8" Straight Link/12" Straight Link	\$155	\$334	\$334
	L	12" Straight Link/12" Straight Link	\$179	\$356	\$356
	M	4" Straight Link/Angled Link/Dynamic Link	\$307	\$579	\$712
	P	4" Straight Link/8" Straight Link/Dynamic Link	\$312	\$624	\$757
Q	4" Straight Link/12" Straight Link/Dynamic Link	\$334	\$646	\$779	
R	4" Straight Link/8" Straight Link/12" Straight Link	\$211	\$467	\$467	
Arm Style Step 2 End Style Selection <i>*Sliders and Crossbars only available in Silver and Black.</i>	N	No End (Only available with No Arm Link)	-	-	-
	T	Standard Monitor Tilt (one per monitor)	\$78	\$111	\$111
	S	Slider For Single Monitor	\$245	\$278	\$278
	2	Crossbar for 2 monitors	N/A	\$312	\$312
	H	Crossbar for 2 monitors, with Handle	N/A	\$423	\$423

New M/Flex (cont.)

COMPONENT	CODE		List Price		
			M2.1	M8.1	M10
Arm Style Step 3 VESA Bracket Selection	N	No VESA Plate	-	-	-
	G	Standard 100mm x 100mm, gray	-	-	-
	B	Standard 100mm x 100mm, black	-	-	-
	W	Standard 100mm x 100mm, white	-	-	-
	Y	100mm x 200mm, gray	\$34	\$34	\$34
	K	100mm x 200mm, black	\$34	\$34	\$34
	J	200mm x 200mm, black	\$47	\$47	\$47
	D	Dell QA VESA Plate, black	\$34	\$34	\$34
	R	Dell QA VESA Plate, gray	\$34	\$34	\$34
	O	Offset VESA Plate, black	\$34	\$34	\$34
	S	Offset VESA Plate, gray	\$34	\$34	\$34
	A	Adapter Bracket, black	\$34	\$34	\$34
	Z	Adapter Bracket, gray	\$34	\$34	\$34
	H	Single Monitor Handle On Accessories Bracket, Black	\$140	\$140	\$140
	E	Single Monitor Handle On Accessories Bracket, Gray	\$140	\$140	\$140
	M	Medium Thin Client Holder, Black	\$133	\$133	\$133
	T	Medium Thin Client Holder, Gray	\$133	\$133	\$133
	L	Large Thin Client Holder, Black	\$140	\$140	\$140
	C	Large Thin Client Holder, Gray	\$140	\$140	\$140
POST HEIGHT	NP	No Post	-	-	-
	12	12" High Post	\$60	\$60	\$60
	18	18" High Post	\$105	\$105	\$105
	24	24" High Post	\$120	\$120	\$120
	30	30" High Post <i>(not available for use with technology bases)</i>	\$165	\$165	\$165
	36	36" High Post <i>(not available for use with technology bases)</i>	\$210	\$210	\$210
POWER CORD PLUG STYLE	NA	North America	-	-	-
	EU	Europe	-	-	-
	UK	United Kingdom	-	-	-
	AU	Australia	-	-	-
	SP	Singapore	-	-	-
	CH	China	-	-	-
	HK	Hong Kong	-	-	-
	ID	Indonesia	-	-	-
	NZ	New Zealand	-	-	-
	MX	Mexico	-	-	-
	JP	Japan	-	-	-
	SK	South Korea	-	-	-

..... Available with both **M/Connect** and **M/Power**

..... Only available with **M/Connect**

New M/Flex Add Ons

			List Price		
COMPONENT	CODE		M2.1	M8.1	M10
PRODUCT GROUP	AX2	M/Flex Add-Ons for M2.1 Monitor Arm	-	N/A	N/A
	AX8	M/Flex Add-Ons for M8.1 Monitor Arm	N/A	-	N/A
	AX1	M/Flex Add-Ons for M10 Monitor Arm	N/A	N/A	-
BRACKET STYLE	S	Smart Stop Only <i>(Order only when adding an arm to an existing Dual Bracket)</i>	-	-	-
	C	Bracket For 3rd Monitor	\$60	\$84	\$84
MOUNT	NM	No Mount	-	-	-
COLOR	S	Silver with Gray Trim	-	-	-
	W	Polished Aluminum with White Trim	-	-	-
	B	Black with Black Trim	-	-	-
Arm Style Step 1	N	No Arm Link	-	-	-
Link Selection	D	Dynamic Link	\$189	\$322	\$457
<i>* see additional Link codes on the following pages</i>	B	Angled Link/Dynamic Link	\$251	\$445	\$579
<i>**Ships unassembled, link order not a factor</i>	C	4" Straight Link/Dynamic Link	\$245	\$467	\$601
	E	8" Straight Link/Dynamic Link	\$256	\$489	\$624
	F	12" Straight Link/Dynamic Link	\$278	\$512	\$646
	G	4" Straight Link/8" Straight Link	\$123	\$290	\$290
	H	4" Straight Link/12" Straight Link	\$145	\$312	\$312
	J	8" Straight Link/8" Straight Link	\$133	\$312	\$312
	K	8" Straight Link/12" Straight Link	\$155	\$334	\$334
	L	12" Straight Link/12" Straight Link	\$179	\$356	\$356
	M	4" Straight Link/Angled Link/Dynamic Link	\$307	\$579	\$712
	P	4" Straight Link/8" Straight Link/Dynamic Link	\$312	\$624	\$757
	Q	4" Straight Link/12" Straight Link/Dynamic Link	\$334	\$646	\$779
	R	4" Straight Link/8" Straight Link/12" Straight Link	\$211	\$467	\$467
Arm Style Step 2	N	No End (Only available with No Arm Link)	-	-	-
End Style Selection	T	Standard Monitor Tilt (one per monitor)	\$78	\$111	\$111
<i>* Sliders and Crossbars only available in Silver and Black.</i>	S	Slider For Single Monitor	\$245	\$278	\$278
	Z	Crossbar for 2 monitors	N/A	\$312	\$312
	H	Crossbar for 2 monitors, with Handle	N/A	\$423	\$423
Arm Style Step 3	N	No VESA Plate	-	-	-
VESA Bracket Selection	G	Standard 100mm x 100mm, gray	-	-	-
	B	Standard 100mm x 100mm, black	-	-	-
	W	Standard 100mm x 100mm, white	-	-	-
	Y	100mm x 200mm, gray	\$34	\$34	\$34
	K	100mm x 200mm, black	\$34	\$34	\$34
	J	200mm x 200mm, black	\$47	\$47	\$47
	D	Dell QA VESA Plate, black	\$34	\$34	\$34
	R	Dell QA VESA Plate, gray	\$34	\$34	\$34
	O	Offset VESA Plate, black	\$34	\$34	\$34
	S	Offset VESA Plate, gray	\$34	\$34	\$34
	A	Adapter Bracket, black	\$34	\$34	\$34
	Z	Adapter Bracket, gray	\$34	\$34	\$34
	H	Single Monitor Handle On Accessories Bracket, Black	\$140	\$140	\$140
	E	Single Monitor Handle On Accessories Bracket, Gray	\$140	\$140	\$140
	M	Medium Thin Client Holder, Black	\$133	\$133	\$133
	T	Medium Thin Client Holder, Gray	\$133	\$133	\$133
	L	Large Thin Client Holder, Black	\$140	\$140	\$140
	C	Large Thin Client Holder, Gray	\$140	\$140	\$140
POST HEIGHT	NP	No Post	-	-	-

New M/Flex Additional Mounts

COMPONENT	CODE		List Price		
			M2.1	M8.1	M10
Additional Mounts	F1	Frame One Mount	\$133	\$133	\$133
	CS	c:scape Mount	\$133	\$133	\$133
	C2	Sliding Desk Clamp Mount, 12mm	\$167	\$167	\$167
	C8	Sliding Desk Clamp Mount, 18mm	\$167	\$167	\$167
	C5	Sliding Desk Clamp Mount, 25mm	\$167	\$167	\$167
	C0	Sliding Desk Clamp Mount, 30mm	\$167	\$167	\$167
	T2	M/Power with Sliding Desk Clamp Mount, 12mm	\$423	\$423	N/A
	T8	M/Power with Sliding Desk Clamp Mount, 18mm	\$423	\$423	N/A
	T5	M/Power with Sliding Desk Clamp Mount, 25mm	\$423	\$423	N/A
	T0	M/Power with Sliding Desk Clamp Mount, 30mm	\$423	\$423	N/A
	TB	M/Power with Bolt-Thru Mount	\$423	\$423	N/A
	K2	M/Connect 2 with Sliding Desk Clamp Mount, 12mm	\$1,190	\$1,190	N/A
	K8	M/Connect 2 with Sliding Desk Clamp Mount, 18mm	\$1,190	\$1,190	N/A
	K5	M/Connect 2 with Sliding Desk Clamp Mount, 25mm	\$1,190	\$1,190	N/A
	K0	M/Connect 2 with Sliding Desk Clamp Mount, 30mm	\$1,190	\$1,190	N/A
	KB	M/Connect 2 with Bolt Through Mount	\$1,190	\$1,190	N/A

New M/Flex Additional Arm Styles

COMPONENT	CODE		List Price		
			M2.1	M8.1	M10
Additional Arm Styles	4	4" Straight Link	\$56	\$133	\$133
Arm Style Step 1	8	8" Straight Link	\$67	\$155	\$155
	1	12" Straight Link	\$89	\$179	\$179
	S	Angled Link/4" Straight Link	\$117	\$256	\$256
	T	Angled Link/8" Straight Link	\$128	\$278	\$278
	U	Angled Link/12" Straight Link	\$150	\$300	\$300
	V	4" Straight Link/4" Straight Link	\$111	\$267	\$267
	W	Angled Link/4" Straight Link/4" Straight Link	\$172	\$390	\$390
	Y	Angled Link/8" Straight Link/4" Straight Link	\$184	\$412	\$412
	Z	Angled Link/12" Straight Link/4" Straight Link	\$206	\$434	\$434
	2	4" Straight Link/4" Straight Link/Dynamic Link	\$300	\$601	\$735
	3	4" Straight Link/4" Straight Link/4" Straight Link	\$167	\$401	\$401
	5	8" Straight Link/4" Straight Link/4" Straight Link	\$179	\$423	\$423
	7	12" Straight Link/4" Straight Link/4" Straight Link	\$201	\$445	\$445
	9	8" Straight Link/8" Straight Link/4" Straight Link	\$189	\$445	\$445

Monitor Arm Conversion Kits & Accessories

COMPONENT	CODE		LIST PRICE
MOUNTS	M21CM-x	M2.1 Clamp Mount with Base	\$126
	M81CM-x	M8.1 Clamp Mount with Base	\$158
	M10CM-x	M10 Clamp Mount with Base	\$158
	MF1CM-x	MFlex.1 Clamp Mount with Base	\$126
	MD21CM-x	Dual M2.1 Clamp Mount With Base	\$231
	M21BT-x	M2.1 Bolt Mount with Base	\$74
	M81BT-x	M8.1 Bolt Mount with Base	\$116
	M10BT-x	M10 Bolt Mount with Base	\$116
	MF1BT-x	MFlex.1 Bolt Mount with Base	\$74
	M21SM-x	M2.1 Slatwall Mount with Base	\$116
	M81SM-x	M8.1 Slatwall Mount with Base	\$137
	M10SM-x	M10 Slatwall Mount with Base	\$137
	M21HW-x	M2.1 Direct Wall Mount with Base	\$116
	M81HW-x	M8.1 Direct Wall Mount with Base	\$137
	M10HW-x	M10 Direct Wall Mount with Base	\$137
	M21CS-x	M2.1 C:Scape Mount with Base	\$126
	M81CS-x	M8.1 C:Scape Mount with Base	\$126
	M10CS-x	M10 C:Scape Mount with Base	\$126
	MF1CS-x	MFlex.1 C:Scape Mount with Base	\$126
	M21F1-x	M2.1 Frame One Mount with Base	\$126
	M81F1-x	M8.1 Frame One Mount with Base	\$126
	M10F1-x	M10 Frame One Mount with Base	\$126
	MF1F1-x	MFlex.1 Frame One Mount with Base	\$126
	M21C2-x	M2.1 12 mm Sliding Desk Clamp Mount with Base	\$126
	M81C2-x	M8.1 12 mm Sliding Desk Clamp Mount with Base	\$158
	M10C2-x	M10 12 mm Sliding Desk Clamp Mount with Base	\$158
	MF1C2-x	MFlex.1 12 mm Sliding Desk Clamp Mount with Base	\$126
	M21C8-x	M2.1 18 mm Sliding Desk Clamp Mount with Base	\$126
	M81C8-x	M8.1 18 mm Sliding Desk Clamp Mount with Base	\$158
	M10C8-x	M10 18 mm Sliding Desk Clamp Mount with Base	\$158
	MF1C8-x	MFlex.1 18 mm Sliding Desk Clamp Mount with Base	\$126
	M21C5-x	M2.1 25 mm Sliding Desk Clamp Mount with Base	\$126
	M81C5-x	M8.1 25 mm Sliding Desk Clamp Mount with Base	\$158
	M10C5-x	M10 25 mm Sliding Desk Clamp Mount with Base	\$158
	MF1C5-x	MFlex.1 25 mm Sliding Desk Clamp Mount with Base	\$126
	M21C0-x	M2.1 30 mm Sliding Desk Clamp Mount with Base	\$126
	M81C0-x	M8.1 30 mm Sliding Desk Clamp Mount with Base	\$158
	M10C0-x	M10 30 mm Sliding Desk Clamp Mount with Base	\$158
	MF1C0-x	MFlex.1 30 mm Sliding Desk Clamp Mount with Base	\$126

Monitor Arm Conversion Kits & Accessories (cont.)

COMPONENT	CODE		LIST PRICE
CONVERSION KITS	M21SLDR-S-x-y	M2.1 slider Conversion Kit. Converts End Style To Slider For Dynamic Arm.	\$231
	M21SLDR-T-x-y	M2.1 slider Conversion Kit. Converts End Style To Slider For Fixed Arm.	\$231
	M21TILT-S-x	M2.1 Tilt Conversion Kit. Converts End Style To Tilt Mechanism For Dynamic Arm.	\$74
	M21TILT-T-x	M2.1 Tilt Conversion Kit. Converts End Style To Tilt Mechanism For Fixed Arm.	\$74
	M81SLDR-S-x-y	M8.1 slider Conversion Kit. Converts End Style To Slider For Dynamic Arm.	\$263
	M81SLDR-T-x-y	M8.1 slider Conversion Kit. Converts End Style To Slider For Fixed Arm.	\$263
	M81CB-S-x-y	M8.1 Crossbar Conversion Kit. Converts End Style To Dual Crossbar For Dynamic Arm.	\$294
	M81CB-T-x-y	M8.1 Crossbar Conversion Kit. Converts End Style To Dual Crossbar For Fixed Arm.	\$294
	M81TILT-S-x	M8.1 Tilt Conversion Kit. Converts End Style To Tilt Mechanism For Dynamic Arm.	\$105
	M81TILT-T-x	M8.1 Tilt Conversion Kit. Converts End Style To Tilt Mechanism For Fixed Arm.	\$105
	M10CB-S-x-y	M10 Crossbar Conversion Kit. Converts End Style To Dual Crossbar For Dynamic Arm.	\$263
	M10CB-T-x-y	M10 Crossbar Conversion Kit. Converts End Style To Dual Crossbar For Fixed Arm.	\$263
	M10TILT-S-x	M10 Tilt Conversion Kit. Converts End Style To Tilt Mechanism For Dynamic Arm.	\$294
	M10TILT-T-x	M10 Tilt Conversion Kit. Converts End Style To Tilt Mechanism For Fixed Arm.	\$294
HANDLES <i>*Black & Silver Only</i>	SMHA-x	Single Monitor Handle For M2.1, M8.1 or M10. Includes Accessories Bracket.	\$131
	M81CBH-x	M8.1 Horizontal Crossbar Handle (Fits Dual)	\$105
	M10CBH-x	M10 Horizontal Crossbar Handle (Fits Dual)	\$105
VESA PLATES <i>*Black & Silver Only</i> <i>**Black only</i>	VESA1-11-x	100 x 100mm VESA Plate for M2.1, M8.1 and M10	\$32
	VESA1-12-x	100 x 200mm VESA Plate for M2.1, M8.1 and M10*	\$45
	VESA1-22-x	200 x 200mm VESA Plate for M2.1, M8.1 and M10**	\$57
	VESA1-D-x	Dell Quick Release VESA Plate for M2.1, M8.1 and M10*	\$36
	VESA1-OVP-x	Offset VESA Plate for M2.1, M8.1 and M10*	\$50
	VESA1-A-B	Adapter VESA Bracket for M2.1, M8.1 and M10. Converts Mx.1 Tilt To M2 or M8 Tilt.**	\$42
THIN CLIENT HOLDERS	VESA1-MTC-x	Medium Thin Client Holder for M2.1, M8.1 and M10** <i>178 mm (7") max height 10-32 mm (0.4" – 1.25") thickness range</i>	\$126
	VESA1-LTC-x	Large Thin Client Holder for M2.1, M8.1 and M10** <i>202 mm (7.95") max height 40-50 mm (1.6" – 1.95") thickness range</i>	\$131
NOTEBOOK HOLDERS	NH1-x	Notebook Holder for M2.1, M8.1 and M10	\$252

Note: x denotes component color and y denotes arm color

Tech Stand Alones and Retrofits

COMPONENT	CODE		LIST PRICE
PRODUCT	M	M/Connect 1*	\$471
	K	M/Connect 2	\$1,030
	T	M/Power	\$341
MOUNT	C	Clamp	-
	B	Bolt-Thru	-
	2	12mm Sliding Desk Clamp	-
	8	18mm Sliding Desk Clamp	-
	5	25mm Sliding Desk Clamp	-
	0	30mm Sliding Desk Clamp	-
	N	No Mount	-
ARM STYLE <i>** Not available with the bolt mount</i>	2-	M2	\$39
	8-	M8	\$39
	MF	M/Flex	\$39
	21	M2.1**	\$39
	81	M8.1**	\$39
	2D	M2.1 Dual Desk Mount	\$39
	N-	Stand Alone	-
COLOR	S	Silver with Gray Trim	-
	W	Polished Aluminum with White Trim	-
	B	Black with Black Trim	-
POWER CORD PLUG STYLE	NA	North America	-
	EU	Europe	-
	UK	United Kingdom	-
	AU	Australia	-
	SP	Singapore	-
	CH	China	-
	HK	Hong Kong	-
	ID	Indonesia	-
	NZ	New Zealand	-
	MX	Mexico	-
	JP	Japan	-
SK	South Korea	-	

..... Available with both **M/Connect** and **M/Power**

..... Only available with **M/Connect**

*M/Connect 1 is only available with Clamp Mount, and is not available with M2.1, M8.1, M10 or stand alone.

M/Connect Monitor Cables

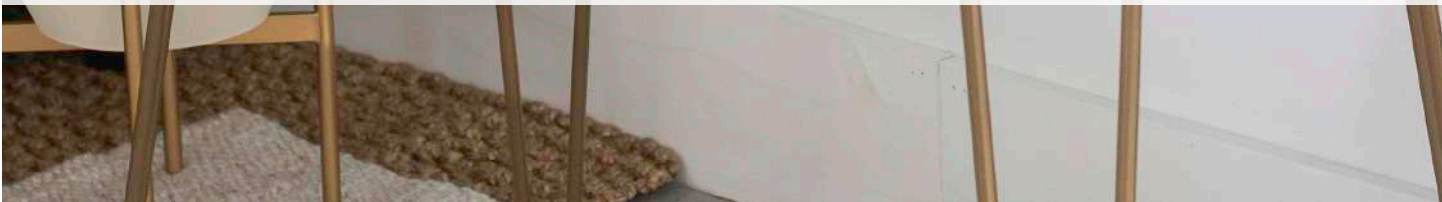
CODE	DESCRIPTION (Dock to Monitor)	LIST PRICE
CA-DPHD	Replacement Cable, DisplayPort to HDMI	\$42
CA-HDDV	Replacement Cable, HDMI to DVI	\$20
CA-DPDV	Replacement Cable, DisplayPort to DVI	\$48
CA-DPDP	Replacement Cable, DisplayPort to DisplayPort (Max resolution is 2560 x 1400)	\$33
CA-HDHD	Replacement Cable, HDMI to HDMI	\$19

NOTE: Note: First listed cable is the M/Connect dock end, second listed cable is monitor end. CA-DPHD cannot be used with HDMI plugged into M/Connect dock.



Sit-Stand

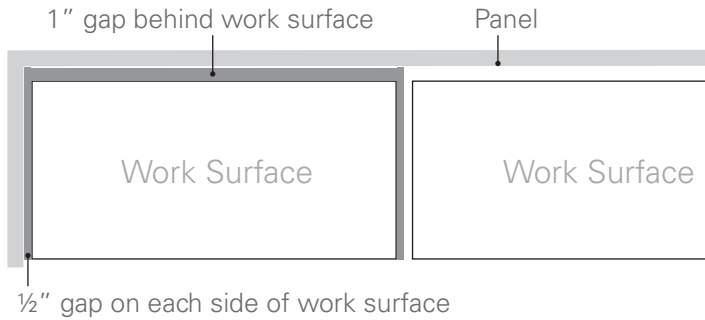
Recent research suggests that movement is vital to health. As the pioneer of a healthier, more active workplace, Humanscale has designed innovative sit/stand solutions that encourage users to alternate postures. Ultimately, these products allow users to adopt a healthy and balanced level of activity as they work.



FLOAT Choosing A Worksurface

WORK SURFACE DIMENSIONS

Depth and width dimension is nominal. Depths are 1" less than stated to provide a 1" gap between the work surface and panel. Widths are 1" less than stated to provide a 1/2" gap on each side of the work surface. The gaps are to facilitate cable management, monitor arms and pinch points in either a panel or open plan work station environment.

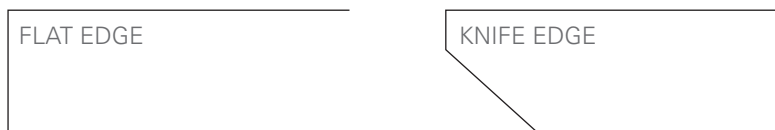


LAMINATE WORK SURFACES

Our high pressure compact environmentally-friendly polypropylene laminate is laminated to either a 3/4" thick particleboard or a 3/4" MDF (medium-density-fibreboard) depending on the edge detail selected. Both work surfaces have a heavy duty back (bottom layer) which is a very thin layer of phenolic. This stops any potential warping. All of our work surfaces are **formaldehyde-free** and manufactured from **FSC (forest stewardship council) certified wood**.

LAMINATE WORK SURFACE EDGE DETAIL

Our laminate work surfaces are available in either a flat edge or knife edge. We use a technology called "laser edge banding" on our rectangular work surfaces which allows for a completely seamless edge between the work surface and the edge detail. This not only leaves a good clean edge but also stops any bacteria penetrating the wood. All our edge banding is finished in a coordinating color.

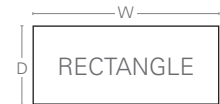


FLOAT Build Your Float Product Code

Step 1: Identify The List Price For Your Float Base

COMPONENT	CODE	DESCRIPTION	LIST PRICE
PRODUCT	FN	Float Table Base	-
BASE COLOR	S	Silver	-
	W	White - <i>Living Product Challenge Approved</i>	-
	B	Black	-
COUNTERBALANCE ADJUSTER	M	Mounted - <i>can only be ordered with size 42, 43, 62, 63</i>	\$130
	R	Removable	-
SIZE <small>*All size options are Living Product Challenge approved.</small>	42	24" deep x 48" to 56" wide <i>will hold up to a 58" wide work surface</i>	\$2,339
	43	30" deep x 48" to 56" wide	\$2,339
	62	24" deep x 60" to 72" wide	\$2,403
	63	30" deep x 60" to 72" wide	\$2,403

Living Product Challenge approved.



Sample Order Float Base Code: **FNWM63** Sample Order Float Base List Price: **\$2,533**

Step 2: Build Your Float Worksurface

SHAPE AND SIZE	COLOR	EDGE PROFILE
----------------	-------	--------------

Wood Veneer	CODE	DEPTH	WIDTH	FLAT EDGE	KNIFE EDGE	
	2V48	24"	48"	\$1,092		
	2V54*	24"	54"	\$1,170		
	2V60	24"	60"	\$1,222		N/A
	2V66*	24"	66"	\$1,310		
	2V72	24"	72"	\$1,378		
	3V48	30"	48"	\$1,170		
	3V54*	30"	54"	\$1,222		
	3V60	30"	60"	\$1,295		N/A
	3V66*	30"	66"	\$1,342		
	3V72	30"	72"	\$1,440		

CODE		
BR		Birch
CH		Cherry
WN		Walnut

	CODE	
	F	Flat Edge

Minimum order quantity of 10 table tops

**Minimum order quantity of 10 table tops*

Laminate	CODE	DEPTH	WIDTH	FLAT EDGE	KNIFE EDGE	
	2448	24"	48"	\$493		n/a
	2454	24"	54"	\$530		\$530
	2460	24"	60"	\$562		\$562
	2466	24"	66"	\$599		\$599
	2472	24"	72"	\$636		\$636
	3048	30"	48"	\$530		n/a
	3054	30"	54"	\$562		\$562
	3060	30"	60"	\$593		\$593
	3066	30"	66"	\$618		\$618
	3072	30"	72"	\$668		\$668

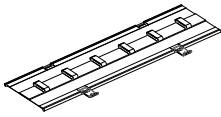

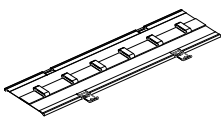

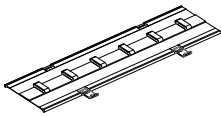

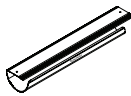
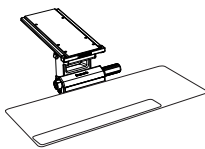

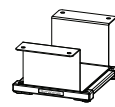
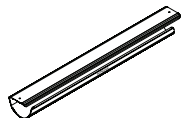

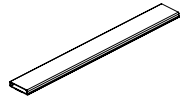
CODE		
WH		White
GY		Gray
PL		Platinum
TN		Tan
BL		Black

	CODE	
	F	Flat Edge
	K	Knife Edge

Sample Order Float Work Surface Code: **3048WHF**
 Sample Order Float Work Surface List Price: **\$530**

FLOAT Build Your Float Product Code (cont.)

Step 3: Select Your Float Accessories

NEATTECH — MINI \$197		NEATUP for FLOAT \$425	
	NTMGG (Pinstripe Graphite Basket / Gray trim) NTMBB (Catena Black Basket / Black Trim) NTMPG (Catena Poppy Seed Basket / Gray Trim) 24" L x 4.5" D x 4" W		NUNAFTW (White Finish) NUNAFTB (Black Finish) NUNAFTG (Gray Finish)
NEATTECH — SMALL \$211		NEATUP for eFLOAT LITE \$425	
	NTSGG (Pinstripe Graphite Basket / Gray trim) NTSBB (Catena Black Basket / Black Trim) NTSPG (Catena Poppy Seed Basket / Gray Trim) 38" L x 4.5" D x 4" W		NUNAELW (White Finish) NUNAELB (Black Finish) NUNAELG (Gray Finish)
NEATTECH — LARGE \$225		NEATUP for eFLOAT FLEX \$425	
	NTLGG (Pinstripe Graphite Basket / Gray trim) NTLBB (Catena Black Basket / Black Trim) NTLPG (Catena Poppy Seed Basket / Gray Trim) 48" L x 4.5" D x 4" W		NUNAEFW (White Finish) NUNAEFB (Black Finish) NUNAefG (Gray Finish)
NEATLINKS — SMALL 17" \$26		KEYBOARD SYSTEM \$422	
	NL17SB (Black) NL17SG (Gray) Small 2.6" Diameter, 17" Length		6FB259S12 (Float Keyboard System Black) 6FW259S12 (Float Keyboard System White)
NEATLINKS — LARGE 17" \$28		CPU HOLDER BRACKET (See Page 77 to build your Float CPU System)	
	NL17LB (Black) NL17LG (Gray) Large 3.6" Diameter, 17" Length		
NEATLINKS — SMALL 24" \$28			
	NL24SB (Black) NL24SG (Gray) Small 2.6" Diameter, 24" Length		
NEATLINKS — LARGE 24" \$31			
	NL24LB (Black) NL24LG (Gray) Large 3.6" Diameter, 24" Length		
NEATLINKS SLIM \$34			
	NLSSW (White) NLSSB (Black) NLSSG (Gray) 2.75" Diameter, 20.6" Length		

EFLOAT LITE

eFloat Lite focuses on price point and performance. eFloat lite is an easy to assemble height adjustable base created to be an optimal first step for a stand alone desk or multiple desk applications. Each configuration supplies everything you need to assemble your height adjustable table base. Just add your desired work surface to personalize.



eFloat Lite for Rectangular Top



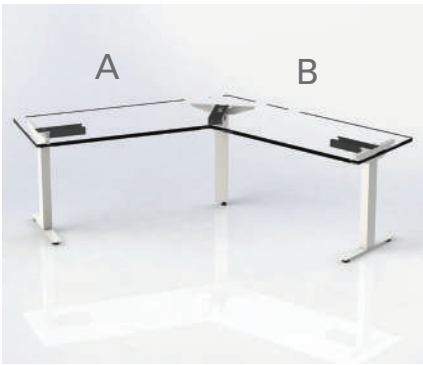
COMPONENT	CODE	DESCRIPTION	LIST PRICE
Line	FLR	eFloat Lite	-
Height Range	12	Standard Range, 27" to 46", 200lbs Capacity	\$901
	22	Dual Stage Low: Extended Range - 21" to 47" -200lbs	\$1,345
Support Bar	A1	None - 1" thick surfaces +	-
	A2	Small - Adjustable Support Bar - 48"-66" Wide	\$88
	A3	Large - Adjustable Support Bar - 66"-84" Wide	\$119
Foot Depth & Style	T2	Slim 24" T Foot , Glides	\$242
	T3	Slim 30" T Foot , Glides	\$261
	TC	Slim 24"/30" T Foot Combo Kit , Glides	\$252
	C2	Slim 24" C Foot , Glides	\$242
	C3	Slim 30" C Foot , Glides	\$261
	CC	Slim 24"/30" C Foot Combo Kit , Glides	\$252
	F2	Classic, T Foot 24" Surface w Glides	\$225
	F3	Classic, T Foot 30" Surface w Glides	\$248
	FC	Classic, T Foot Combo Kit 24"/30" Surface w Glides	\$237
	G2	Classic, C Foot 24" Surface w Glides	\$225
G3	Classic, C Foot 30" Surface w Glides	\$248	
GC	Classic, C Foot Combo Kit 24"/30" Surface w Glides	\$237	
Touch Pad	A	Basic Up Down	\$88
	D	Programmable	\$237
	T	Touch Basic Up Down	\$88
	F	Touch FX Programmable	\$237
Color	BL	Black	-
	SL	Silver	-
	WH	White	-
	SW	Soft White	-
	LT	Light Tan Metallic	-
	WG	Warm Grey Neutral	-
	LG	Light Grey	-
	AG	Aviator Grey	-
DG	Dark Grey	-	

eFloat Lite for 90 Degree Top



COMPONENT	CODE	DESCRIPTION	LIST PRICE
Line	FL90	eFloat Lite	-
Height Range	12	Standard Range, 27" to 46", 200lbs Capacity	\$1,773
	22	Dual Stage Low: Extended Range - 21" to 47" -200lbs	\$2,304
Support Bar <i>A and B are the surface dimensions the table base needs to support, not the length of the support bar</i>	A1	None - 1" thick surfaces +	-
	A2	Small - Adjustable Support Bar - 60"-78" Wide	\$88
	A3	Large - Adjustable Support Bar - 84" Wide	\$119
	B1	None - 1" thick surfaces +	-
	B2	Small - Adjustable Support Bar - 60"-78" Wide	\$88
	B3	Large - Adjustable Support Bar - 84" Wide	\$119
Foot Depth & Style	T2	Slim 24" T Foot , Glides	\$242
	T3	Slim 30" T Foot , Glides	\$261
	TC	Slim 24"/30" T Foot Combo Kit , Glides	\$252
	C2	Slim 24" C Foot , Glides	\$242
	C3	Slim 30" C Foot , Glides	\$261
	CC	Slim 24"/30" C Foot Combo Kit , Glides	\$252
	F2	Classic, T Foot 24" Surface w Glides	\$225
	F3	Classic, T Foot 30" Surface w Glides	\$248
	FC	Classic, T Foot Combo Kit 24"/30" Surface w Glides	\$237
	G2	Classic, CFoot 24" Surface w Glides	\$225
G3	Classic, CFoot 30" Surface w Glides	\$248	
GC	Classic, C Foot Combo Kit 24"/30" Surface w Glides	\$237	
Touch Pad	A	Basic Up Down	\$88
	D	Programmable	\$237
	T	Touch Basic Up Down	\$88
	F	Touch FX Programmable	\$237
Color	BL	Black	-
	SL	Silver	-
	WH	White	-
	SW	Soft White	-
	LT	Light Tan Metallic	-
	WG	Warm Grey Neutral	-
	LG	Light Grey	-
	AG	Aviator Grey	-
	DG	Dark Grey	-

eFloat Lite for 120 Degree Top



COMPONENT	CODE	DESCRIPTION	LIST PRICE
Line	FL120	eFloat Lite	-
Height Range	12	Standard Range, 27" to 46", 200lbs Capacity	\$1,773
	22	Dual Stage Low: Extended Range - 21" to 47" -200lbs	\$2,304
Support Bar <i>A and B are the surface dimensions the table base needs to support, not the length of the support bar</i>	A1	None - 1" thick surfaces +	-
	A2	Small - Adjustable Support Bar - 60"-72" Wide	\$88
	A3	Large - Adjustable Support Bar - 72"-84" Wide	\$119
	B1	None - 1" thick surfaces +	-
	B2	Small - Adjustable Support Bar - 60"-72" Wide	\$88
	B3	Large - Adjustable Support Bar - 72"-84" Wide	\$119
Foot Depth & Style	T2	Slim, T Foot 24" Surface w Glides	\$242
	T3	Slim, T Foot 30" Surface w Glides	\$261
	C2	Slim, CFoot 24" Surface w Glides	\$242
	C3	Slim, CFoot 30" Surface w Glides	\$261
	F2	Classic, T Foot 24" Surface w Glides	\$225
	F3	Classic, T Foot 30" Surface w Glides	\$248
	FC	Classic, T Foot Combo Kit 24"/30" Surface w Glides	\$237
	G2	Classic, CFoot 24" Surface w Glides	\$225
	G3	Classic, CFoot 30" Surface w Glides	\$248
	GC	Classic, C Foot Combo Kit 24"/30" Surface w Glides	\$237
Touch Pad	A	Basic Up Down	\$88
	D	Programmable	\$237
	T	Touch Basic Up Down	\$88
	F	Touch FX Programmable	\$237
Color	BL	Black	-
	SL	Silver	-
	WH	White	-
	SW	Soft White	-
	LT	Light Tan Metallic	-
	WG	Warm Grey Neutral	-
	LG	Light Grey	-
	AG	Aviator Grey	-
DG	Dark Grey	-	

COMPONENT	CODE	DESCRIPTION	LIST PRICE
Accessories	FLCK	FL - Locking Caster Kit (QTY 4)	\$114
	FL3K	FF/FL - Caster for 3rd Leg (QTY 1)	\$28
	S1	31" Stiffener Bar	\$51
	S2	49" Stiffener Bar	\$63
	S3	61" Stiffener Bar	\$80

EFLOAT FLEX

eFloat Flex focuses on flexibility. Easy to customize to your standards, Flex can support stand alone desks or multiple desk solutions. Each configuration supplies everything you need to assemble your height adjustable table base. Just add your desired work surface to personalize.



eFloat Flex for Rectangular Top



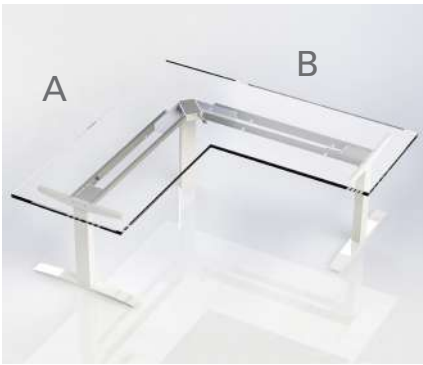
COMPONENT	CODE	DESCRIPTION	LIST PRICE
Line	FFR	eFloat Flex	-
Height Range	12	Standard Range, 26" to 45", 225lbs Capacity	\$1,392
	14	Standard Range Heavy, 26" to 45", 425lbs Capacity	\$1,605
	22	Extended Range, 21" to 47", 225lbs Capacity	\$1,811
	32	Extended Range Plus, 22" to 49", 225lbs Capacity	\$1,811
	42	Standard Range, 26" to 45", 225lbs Capacity, NEMA 6-15P (220V)	\$1,805
	52	Extended Range, 21" to 47", 225lbs Capacity, NEMA 6-15P (220V)	\$2,220
	62	Extended Range Plus, 22" to 49", 225lbs Capacity, NEMA 6-15P (220V)	\$2,220
Support Bar	R0	Beamless (must use IT / IC Foot Configurations)	-
	R1	Fixed 36" Support Bar - 36" - 42" Wide	\$80
	R2	Adjustable Support Bar - 48" - 72" Wide	\$119
	R3	Fixed 78" Support Bar - 78" - 84" Wide	\$189
Foot Depth & Style	T2G	T Foot 24" Surface w Glides	\$255
	T3G	T Foot 30" Surface w Glides	\$272
	TCG	T Foot Combo Kit 24"/30" Surface w Glides	\$314
	C2G	CFoot 24" Surface w Glides	\$255
	C3G	CFoot 30" Surface w Glides	\$272
	CCG	C Foot Combo Kit 24"/30" Surface w Glides	\$314
	T2C	T Foot 24" Surface w Casters	\$326
	T3C	T Foot 30" Surface w Casters	\$343
	TCC	T Foot Combo Kit 24"/30" Surface w Casters	\$335
	C2C	CFoot 24" Surface w Casters	\$326
	C3C	CFoot 30" Surface w Casters	\$343
	CCC	C Foot Combo Kit 24"/30" Surface w Casters	\$335
	IT2	T Foot 24" Independent Bracket w Glides - Up to 60in Wide Tops	\$412
	IT3	T Foot 30" Independent Bracket w Glides - Up to 60in Wide Tops	\$511
	IC2	C Foot 24" Independent Bracket w Glides - Up to 60in Wide Tops	\$412
	IC3	C Foot 30" Independent Bracket w Glides - Up to 60in Wide Tops	\$511
	F2G	Classic 24" T-Foot Kit w/Top Supports - Glides	\$234
	F3G	Classic 30" T-Foot Kit w/Top Supports - Glides	\$259
	FCG	Classic 24"/30" T-Foot Kit w/Top Supports - Glides	\$246
	G2G	Classic 24" C-Foot Kit w/Top Supports - Glides	\$234
	G3G	Classic 30" C-Foot Kit w/Top Supports - Glides	\$259
	GCG	Classic 24"/30" C-Foot Kit w/Top Supports - Glides	\$246
	F2C	Classic 24" T-Foot Kit w/Top Supports - Casters	\$339
	F3C	Classic 30" T-Foot Kit w/Top Supports - Casters	\$364
	FCC	Classic 24"/30" T-Foot Kit w/Top Supports - Casters	\$351
	G2C	Classic 24" C-Foot Kit w/Top Supports - Casters	\$339
	G3C	Classic 30" C-Foot Kit w/Top Supports - Casters	\$364
	GCC	Classic 24"/30" C-Foot Kit w/Top Supports - Casters	\$351
	IF2	Classic T Foot 24" Independent Bracket w Glides - Up to 60in Wide Tops	\$400
	IF3	Classic T Foot 30" Independent Bracket w Glides - Up to 60in Wide Tops	\$499
	IG2	Classic C Foot 24" Independent Bracket w Glides - Up to 60in Wide Tops	\$400
	IG3	Classic C Foot 30" Independent Bracket w Glides - Up to 60in Wide Tops	\$499

eFloat Flex for Rectangular Top (cont.)



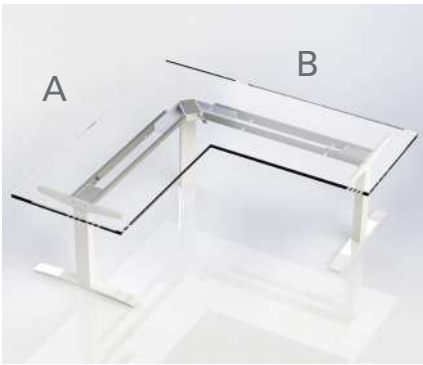
COMPONENT	CODE	DESCRIPTION	LIST PRICE
Touch Pad	A	Basic Up Down	\$88
	D	Programmable	\$237
	T	Touch Basic Up Down	\$88
	F	Touch FX Programmable	\$237
Color	BL	Black	-
	SL	Silver	-
	WH	White	-
	SW	Soft White	-
	LT	Light Tan Metallic	-
	WG	Warm Grey Neutral	-
	LG	Light Grey	-
	AG	Aviator Grey	-
	DG	Dark Grey	-

eFloat Flex for 90 Degree Top



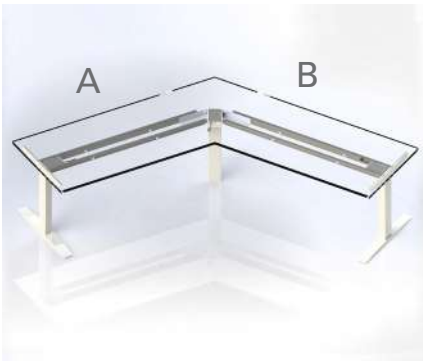
COMPONENT	CODE	DESCRIPTION	LIST PRICE
Line	FF90	eFloat Flex	-
Height Range	12	Standard Range, 26" to 45", 275lbs Capacity	\$2,342
	14	Standard Range Heavy, 26" to 45", 425lbs Capacity	\$2,623
	22	Extended Range, 21" to 47", 275lbs Capacity	\$3,110
	32	Extended Range Plus, 22" to 49", 275lbs Capacity	\$3,110
Support Bar <i>A and B are the surface dimensions the table base needs to support, not the length of the support bar</i>	A0	36" Fixed width Support Bar	\$82
	A1	48" Fixed Width Support Bar	\$106
	A2	54" Fixed Width Support Bar	\$108
	A3	60" Fixed Width Support Bar	\$109
	A4	66" Fixed Width Support Bar	\$138
	A5	72" Fixed Width Support Bar	\$183
	A6	78" Fixed Width Support Bar	\$189
	A7	84" Fixed Width Support Bar	\$196
	A8	90" Fixed width Support Bar	\$234
	B0	36" Fixed width Support Bar	\$82
	B1	48" Fixed Width Support Bar	\$106
	B2	54" Fixed Width Support Bar	\$108
	B3	60" Fixed Width Support Bar	\$109
	B4	66" Fixed Width Support Bar	\$138
	B5	72" Fixed Width Support Bar	\$183
	B6	78" Fixed Width Support Bar	\$189
B7	84" Fixed Width Support Bar	\$196	
B8	90" Fixed width Support Bar	\$234	
Foot Depth & Style <i>*Ask your Humanscale Sales Representative for three-leg caster kits</i>	T2G	T Foot 24" Surface w Glides	\$255
	T3G	T Foot 30" Surface w Glides	\$272
	TCG	T Foot Combo Kit 24"/30" Surface w Glides	\$314
	C2G	CFoot 24" Surface w Glides	\$255
	C3G	CFoot 30" Surface w Glides	\$272
	CCG	C Foot Combo Kit 24"/30" Surface w Glides	\$314
	T2C	T Foot 24" Surface w Casters	\$339
	T3C	T Foot 30" Surface w Casters	\$358
	TCC	T Foot Combo Kit 24"/30" Surface w Casters	\$347
	C2C	CFoot 24" Surface w Casters	\$339
	C3C	CFoot 30" Surface w Casters	\$358
	CCC	C Foot Combo Kit 24"/30" Surface w Casters	\$347
	IT2	T Foot 24" Independent Bracket w Glides - Up to 60in Wide Tops	\$412
	IT3	T Foot 30" Independent Bracket w Glides - Up to 60in Wide Tops	\$511
	IC2	C Foot 24" Independent Bracket w Glides - Up to 60in Wide Tops	\$412
	IC3	C Foot 30" Independent Bracket w Glides - Up to 60in Wide Tops	\$511
F2G	Classic 24" T-Foot Kit w/ Top Supports - Glides	\$234	
F3G	Classic 30" T-Foot Kit w/ Top Supports - Glides	\$259	
FCG	Classic 24"/30" T-Foot Kit w/ Top Supports - Glides	\$246	

eFloat Flex for 90 Degree Top (cont.)



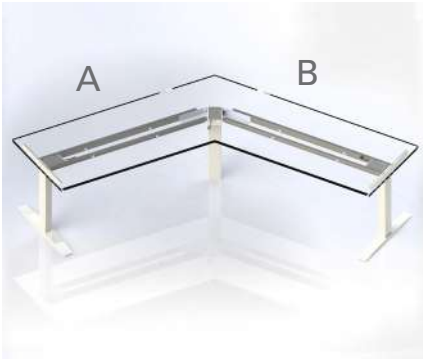
COMPONENT	CODE	DESCRIPTION	LIST PRICE
(CONTINUED) Foot Depth & Style <i>*Ask your Humanscale Sales Representative for three-leg caster kits</i>	G2G	Classic 24" C-Foot Kit w/Top Supports - Glides	\$234
	G3G	Classic 30" C-Foot Kit w/Top Supports - Glides	\$259
	GCG	Classic 24"/30" C-Foot Kit w/Top Supports - Glides	\$246
	F2C	Classic 24" T-Foot Kit w/Top Supports - Casters	\$339
	F3C	Classic 30" T-Foot Kit w/Top Supports - Casters	\$364
	FCC	Classic 24"/30" T-Foot Kit w/Top Supports - Casters	\$351
	G2C	Classic 24" C-Foot Kit w/Top Supports - Casters	\$339
	G3C	Classic 30" C-Foot Kit w/Top Supports - Casters	\$364
	GCC	Classic 24"/30" C-Foot Kit w/Top Supports - Casters	\$351
	IF2	Classic T Foot 24" Independent Bracket w Glides - Up to 60in Wide Tops	\$400
	IF3	Classic T Foot 30" Independent Bracket w Glides - Up to 60in Wide Tops	\$499
	IG2	Classic C Foot 24" Independent Bracket w Glides - Up to 60in Wide Tops	\$400
	IG3	Classic C Foot 30" Independent Bracket w Glides - Up to 60in Wide Tops	\$499
Touch Pad	A	Basic Up Down	\$88
	D	Programmable	\$237
	T	Touch Basic Up Down	\$88
	F	Touch FX Programmable	\$237
Color	BL	Black	-
	SL	Silver	-
	WH	White	-
	SW	Soft White	-
	LT	Light Tan Metallic	-
	WG	Warm Grey Neutral	-
	LG	Light Grey	-
	AG	Aviator Grey	-
	DG	Dark Grey	-

eFloat Flex for 120 Degree Top



COMPONENT	CODE	DESCRIPTION	LIST PRICE
Line	FF120	eFloat Flex	-
Height Range	12	Standard Range, 26" to 45", 275lbs Capacity	\$2,342
	14	Standard Range Heavy, 26" to 45", 425lbs Capacity	\$2,623
	22	Extended Range, 21" to 47", 275lbs Capacity	\$3,110
	32	Extended Range Plus, 22" to 49", 275lbs Capacity	\$3,110
Support Bar <i>A and B are the surface dimensions the table base needs to support, not the length of the support bar</i>	A0	36" Fixed width Support Bar	\$82
	A1	48" Fixed Width Support Bar	\$106
	A2	54" Fixed Width Support Bar	\$108
	A3	60" Fixed Width Support Bar	\$109
	A4	66" Fixed Width Support Bar	\$138
	A5	72" Fixed Width Support Bar	\$183
	A6	78" Fixed Width Support Bar	\$189
	A7	84" Fixed Width Support Bar	\$196
	A8	90" Fixed width Support Bar	\$234
	B0	36" Fixed width Support Bar	\$82
	B1	48" Fixed Width Support Bar	\$106
	B2	54" Fixed Width Support Bar	\$108
	B3	60" Fixed Width Support Bar	\$109
	B4	66" Fixed Width Support Bar	\$138
	B5	72" Fixed Width Support Bar	\$183
	B6	78" Fixed Width Support Bar	\$189
B7	84" Fixed Width Support Bar	\$196	
B8	90" Fixed width Support Bar	\$234	
Foot Depth & Style <i>*Ask your Humanscale Sales Representative for three-leg caster kits</i>	T2G	T Foot 24" Surface w Glides	\$255
	T3G	T Foot 30" Surface w Glides	\$272
	TCG	T Foot Combo Kit 24"/30" Surface w Glides	\$314
	C2G	CFoot 24" Surface w Glides	\$255
	C3G	CFoot 30" Surface w Glides	\$272
	CCG	C Foot Combo Kit 24"/30" Surface w Glides	\$314
	T2C	T Foot 24" Surface w Casters	\$339
	T3C	T Foot 30" Surface w Casters	\$358
	TCC	T Foot Combo Kit 24"/30" Surface w Casters	\$347
	C2C	CFoot 24" Surface w Casters	\$339
	C3C	CFoot 30" Surface w Casters	\$358
	CCC	C Foot Combo Kit 24"/30" Surface w Casters	\$347
	IT2	T Foot 24" Independent Bracket w Glides - Up to 60in Wide Tops	\$412
	IT3	T Foot 30" Independent Bracket w Glides - Up to 60in Wide Tops	\$511
	IC2	C Foot 24" Independent Bracket w Glides - Up to 60in Wide Tops	\$412
	IC3	C Foot 30" Independent Bracket w Glides - Up to 60in Wide Tops	\$511
	F2G	Classic 24" T-Foot Kit w/ Top Supports - Glides	\$234
F3G	Classic 30" T-Foot Kit w/ Top Supports - Glides	\$259	
FCG	Classic 24"/30" T-Foot Kit w/ Top Supports - Glides	\$246	

eFloat Flex for 120 Degree Top (cont.)



COMPONENT	CODE	DESCRIPTION	LIST PRICE
(CONTINUED) Foot Depth & Style	G2G	Classic 24" C-Foot Kit w/Top Supports - Glides	\$234
	G3G	Classic 30" C-Foot Kit w/Top Supports - Glides	\$259
	GCG	Classic 24"/30" C-Foot Kit w/Top Supports - Glides	\$246
	F2C	Classic 24" T-Foot Kit w/Top Supports - Casters	\$339
	F3C	Classic 30" T-Foot Kit w/Top Supports - Casters	\$364
	FCC	Classic 24"/30" T-Foot Kit w/Top Supports - Casters	\$351
	G2C	Classic 24" C-Foot Kit w/Top Supports - Casters	\$339
	G3C	Classic 30" C-Foot Kit w/Top Supports - Casters	\$364
	GCC	Classic 24"/30" C-Foot Kit w/Top Supports - Casters	\$351
	IF2	Classic T Foot 24" Independent Bracket w Glides - Up to 60in Wide Tops	\$400
	IF3	Classic T Foot 30" Independent Bracket w Glides - Up to 60in Wide Tops	\$499
	IG2	Classic C Foot 24" Independent Bracket w Glides - Up to 60in Wide Tops	\$400
	IG3	Classic C Foot 30" Independent Bracket w Glides - Up to 60in Wide Tops	\$499
	Touch Pad	A	Basic Up Down
D		Programmable	\$237
T		Touch Basic Up Down	\$88
F		Touch FX Programmable	\$237
Color	BL	Black	-
	SL	Silver	-
	WH	White	-
	SW	Soft White	-
	LT	Light Tan Metallic	-
	WG	Warm Grey Neutral	-
	LG	Light Grey	-
	AG	Aviator Grey	-
DG	Dark Grey	-	

COMPONENT	CODE	DESCRIPTION	LIST PRICE
Accessories	FFCK	FF - Locking Caster Kit (QTY 4)	\$114
	FF3K	FF/FL - Caster for 3rd Leg (QTY 1)	\$28
	S1	31" Stiffener Bar	\$51
	S2	49" Stiffener Bar	\$63
	S3	61" Stiffener Bar	\$80

QUICKSTAND

Features & Product Configurations



MONITOR MOUNT

Choose between a single or dual monitor mount

It can accommodate a monitor up to 24"

The single/dual monitor mount has a height adjustment of 5"

COLOR

Choose between black with gray trim or white with gray trim to match QuickStand into any working environment

PLATFORM







The height adjustable platform is available in either a small or large platform for varying work surface depths

The size of the small platform is: 28" wide x 11" deep (for a 24" to 29" deep work surface)

The size of the large platform is: 28" wide x 17" deep (for a 30" to 36" deep work surface)

The small and large platforms both have a height adjustment of 18"

QuickStand Product Configurations

		
<p>QSWH24CDN \$1,583</p> <p>Quickstand, white, heavy mount assembly with small platform</p>	<p>QSWH30CDN \$1,605</p> <p>Quickstand, white, heavy mount assembly with large platform</p>	<p>QSWC30CDD \$1,720</p> <p>Quickstand, white, heavy mount assembly with large platform and crossbar</p>
		
<p>QSBH24CDN \$1,583</p> <p>Quickstand, black, heavy mount assembly with small platform</p>	<p>QSBH30CDN \$1,605</p> <p>Quickstand, black, heavy mount assembly with large platform</p>	<p>QSBC30CDD \$1,720</p> <p>Quickstand, black, heavy mount assembly with large platform and crossbar</p>



QUICKSTAND Build Your Product Code

COMPONENT	CODE	DESCRIPTION	LIST PRICE
LINE	QS	QuickStand (weight capacity up to 35lbs*)	\$1,151
COLOR	B	Black	-
	W	White	-
MONITOR MOUNT STYLE	H	Heavy Monitor Mount (Single only up to 30lbs)	\$151
	C	Standard Crossbar Monitor Mount (Dual screen up to 30lbs total monitor weight. Screens up to 24" wide)	\$206
	W	Wide Crossbar Monitor Mount (Dual screen up to 30lbs total monitor weight. Screens up to 27" wide)	\$273
WORKSURFACE	24	Small Platform	\$146
	30	Large Platform	\$218
DESK MOUNT	C	Clamp Mount	-
	G	Grommet/Bolt Mount	-
	D	Dual Mount (CM+GM Mount)	\$151
	F	FreeStanding Base	\$176
LEFT SIDE CABLE SET	N	No Cables	-
	V	VGA Set (includes 1-VGA/1-Power/2-USB)	\$85
	P	Display Port Set (includes 1-Display Port/1-Power/2-USB)	\$85
	H	HDMI Set (includes 1-HDMI/1-Power/2-USB)	\$85
	D	DVI-D Set (includes 1-DVI-D/1-Power/2-USB)	\$85
	M	Mini Display Port (includes 1-MiniDisplay Port/1-Power/2 USB)	\$85
RIGHT SIDE CABLE SET	N	No Cables	-
	V	VGA Set (includes 1-VGA/1-Power)	\$60
	P	Display Port Set (includes 1-Display Port/1-Power)	\$60
	H	HDMI Set (includes 1-HDMI/1-Power)	\$60
	D	DVI-D Set (includes 1-DVI-D/1-Power)	\$60
	M	Mini Display Port (includes 1-MiniDisplay Port/1-Power)	\$60

*QS Total weight capacity of 35lbs is the sum of the weight of the monitors plus the items placed on the work surface. Consult the monitor mount options for monitor weight guidelines.

Accessories

COMPONENT	CODE	DESCRIPTION	LIST PRICE
LINE	QSHD	Heavy Monitor Mount (Single only up to 22lbs)	\$140
	QSXCB	Standard Crossbar Monitor Mount (Dual screen up to 30lbs total monitor weight. Screens up to 24" wide)	\$243
	QSXWC	Wide Crossbar Monitor Mount (Dual screen up to 30lbs total monitor weight. Screens up to 27" wide)	\$281
DESK MOUNT	QSCM	Clamp Mount	\$140
	QSGM	Grommet/Bolt Mount	\$140
	QSDM	Dual Mount (CM+GM Mount)	\$281
	QSXFS	FreeStanding Mount	\$303
	PLATFORM SIZE	QSX24	Small platform
	QSX30	Large platform	\$225
LEFT SIDE CABLE SET	QSVG1	VGA Set (includes 1-VGA/1-Power/2-USB)	\$102
	QSDP1	Display Port Set (includes 1-Display Port/1-Power/2-USB)	\$102
	QSDM1	HDMI Set (includes 1-HDMI/1-Power/2-USB)	\$102
	QSDV1	DVI-D Set (includes 1-DVI-D/1-Power/2-USB)	\$102
	QSDM1	Mini Display Port (includes 1-MiniDisplay Port/1-Power/2 USB)	\$102
	RIGHT SIDE CABLE SET	QSVG2	VGA Set (includes 1-VGA/1-Power)
QSDP2		Display Port Set (includes 1-Display Port/1-Power)	\$84
QSDM2		HDMI Set (includes 1-HDMI/1-Power)	\$84
QSDV2		DVI-D Set (includes 1-DVI-D/1-Power)	\$84
QSDM2		Mini Display Port (includes 1-MiniDisplay Port/1-Power)	\$84
CABLE MANAGEMENT		QSCMK	Cable Managemet Kit

*The X designator in the code is a placeholder for a color option. Replace X with B=Black and W=White

QUICKSTAND LITE Features & Specifications

Humanscale's QuickStand Lite transforms any fixed-height desk into an active one. Its minimalist aesthetic complements any office environment and supports a variety of hardware. An adjustable keyboard and monitor arm platform provides exceptional stability while typing. An innovative counterbalance mechanism enables users to transition from sitting to standing positions with ease and encourages more movement—creating a truly active workspace.

- Main assembly holds single or dual monitors up to 25 lbs. of weight and can be easily converted to either configuration
- Designed to accommodate users of varying heights with 20" of total height range and 5.5" of vertical monitor adjustment
- Effortless functionality and flexibility allows user to adjust QuickStand Lite as needed to encourage movement and collaboration
- The lightweight QuickStand Lite has a minimal footprint and can be attached to any fixed-height desk



QUICKSTAND LITE Product Configurations & Pricing

QuickStand Lite Product Configurations

		
QSLBLC \$1,196	QuickStand Lite, black with black trim, light single monitor, clamp mount	QSLSLC \$1,196
		QSLBCC \$1,332
		QuickStand Lite, black with black trim, standard crossbar, clamp mount


QSLSCC \$1,332
QuickStand Lite, silver with white trim, standard crossbar, clamp mount

Build Your Product Code

COMPONENT	CODE		LIST PRICE
Product Group	QSL	QuickStand Lite Base	\$1,196
Color	S	Silver	-
	B	Black	-
Monitor Mount	L	Light monitor mount for 1 monitor up to 11 lbs	-
	H	Heavy monitor mount for 1 monitor between 12 and 22 lbs	\$71
	C	Standard crossbar monitor mount for 2 monitors up to 24" wide each and weighing up to 22 lbs. combined	\$136
	W	Wide crossbar monitor mount for 2 monitors up to 27" wide each and weighing up to 22 lbs. combined	\$163
Base Mount	C	Clamp Mount	-
	G	Grommet Mount	-
	D	Dual Mount (Both clamp and grommet mount included)	\$136

Accessories







CODE	DESCRIPTION	LIST PRICE
QSLSD	QSL Std Crossbar Kit - Crossbar, Upper Monitor Holder and VESA Plate Kits, Silver with White Trim	\$336
QSLBD	QSL Std Crossbar Kit - Crossbar, Upper Monitor Holder and VESA Plate Kits, Black with Black Trim	\$336
QSLSW	QSL Wide Crossbar Kit - Crossbar, Upper Monitor Holder and VESA Plate Kits, Silver with White Trim	\$376
QSLBW	QSL Wide Crossbar Kit - Crossbar, Upper Monitor Holder and VESA Plate Kits, Black with Black Trim	\$376
QSLSH	QSL Heavy Monitor Mount Kit - Heavy Upper Monitor Holder and VESA Plate Kit, Silver with White Trim	\$212
QSLBH	QSL Heavy Monitor Mount Kit - Heavy Upper Monitor Holder and VESA Plate Kits, Black with Black Trim	\$212
QSLSL	QSL Light Monitor Mount Kit - Light Upper Monitor Holder and VESA Plate Kit, Silver with White Trim	\$173
QSLBL	QSL Light Monitor Mount Kit - Light Upper Monitor Holder and VESA Plate Kits, Black with Black Trim	\$173

QUICKSTAND ECO

Humanscale’s QuickStand Eco is the next generation in portable sit/stand products. Sleeker, easier to use and comprised of more sustainable materials than ever before, it is a vast improvement over the current generation of sit/stand options. This work surface is available in laptop, single or dual monitor configurations. QuickStand Eco features simple setup, portability and near effortless adjustability — transforming ordinary desktops into healthy, active workspaces.



QuickStand Eco Product Configurations

		
QSEWL \$814 QuickStand Eco Laptop, White	QSEWS \$939 QuickStand Eco Single Monitor, White	QSEWD \$1,086 QuickStand Eco Dual Monitor, White
		
QSEBL \$814 QuickStand Eco Laptop, Black	QSEBS \$939 QuickStand Eco Single Monitor, Black	QSEBD \$1,086 QuickStand Eco Dual Monitor, Black

Accessories

CODE	DESCRIPTION	LIST PRICE
QSEWZCL	QuickStand Eco Conversion kit to laptop model from any monitor model, White	\$41
QSEWLCS	QuickStand Eco Conversion kit from laptop model to single monitor model, White	\$136
QSEWLCD	QuickStand Eco Conversion kit from laptop model to dual monitor model, White	\$271
QSEWSCD	QuickStand Eco Conversion kit from single monitor model to dual monitor model, White	\$271
QSEBZCL	QuickStand Eco Conversion kit to laptop model from any monitor model, Black	\$41
QSEBLCS	QuickStand Eco Conversion kit from laptop model to single monitor model, Black	\$136
QSEBLCD	QuickStand Eco Conversion kit from laptop model to dual monitor model, Black	\$271
QSEBSCD	QuickStand Eco Conversion kit from single monitor model to dual monitor model, Black	\$271
QSEDP10	Display Port 10' (3m) Cable	\$30
QSEMDP10	Mini Display Port 10' (3m) Cable	\$32
QSEDVID10	DVI-D 10' Cable (3m) Cable	\$26
QSEHDMI10	HDMI 10' Cable (3m) Cable	\$27
QSEVGA10	VGA 10' (3m) Cable	\$16
QSEPE10	Power Extender ICE 320 C13 to C14	\$12
QSEUSBA2	USB 2.0 Extender 6.5' (2m) Online 2 cables	\$19

QUICKSTAND UNDER DESK



QuickStand Under Desk allows users to seamlessly alternate between sitting and standing postures without interrupting workflow. The continuous force mechanism is enclosed within a central column beneath the desk surface, so views are unobstructed in the sit position. Offering effortless functionality and a sleek, modern design, QuickStand Under Desk is an understated workspace wellness solution that blends into any environment.

Main assembly holds single and dual monitors up to max total weight of 35 lbs.

Designed to accommodate users of varying heights with 18" of work surface adjustment

Minimal footprint allows for more use of the desktop area

Provides built-in cable management

- Compatible with OfficeIQ — Humanscale’s innovative sit/stand alert software
 - Compatible with Humanscale’s best-selling line of M2, M8 and M/Flex monitor arms.
- *Monitor arms are not included and may be ordered separately. QuickStand Under Desk may also be retrofitted to existing monitor arms.

Build Your Product Code

COMPONENT	CODE		LIST PRICE
Product Group	QSU	QuickStand Under Desk Base	-
Color	W	White	-
	B	Black	-
Monitor Mount Style	M2	M2 Monitor Arm Mount (monitor arm sold separately)	\$1,286
	M8	M8 Monitor Arm Mount (monitor arm sold separately)	\$1,286
	MF	M/Flex Monitor Arm Mount (monitor arm sold separately)	\$1,286
	FS	Single Monitor Mount Fixed (six fixed heights to choose from)	\$1,431
	FD	Wide Crossbar Monitor Mount Fixed (six fixed heights to choose from)	\$1,689
Monitor arm bracket color*	S	Silver	-
	W	White	-
	B	Black	-
	-	Select For Fixed Monitor Mount	-

* Monitor arm bracket color is used for only the M2, M8 and Mflex monitor mount styles. The main assembly is always black or white.



Ergo Tools

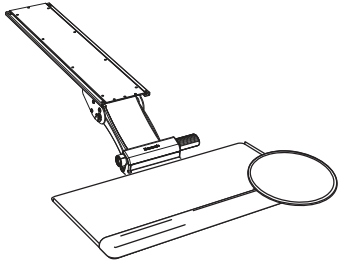
A key component of an ergonomic workstation, a well-designed articulating keyboard system works in conjunction with a monitor arm and task chair to promote healthy, comfortable posture. Humanscale keyboard supports lightly bring the work to you, allowing you to sit back in your chair while providing serious protection from carpal tunnel syndrome, neck and back pain, and other musculoskeletal issues.

Best-Selling Keyboard Systems

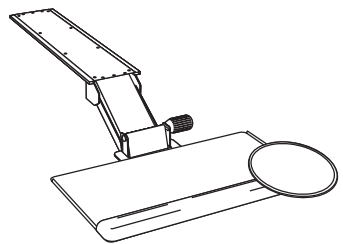
With advanced technology, award-winning designs and hundreds of options, Humanscale has remained the market leader in keyboard supports for 10 years running. We pioneered intuitive adjustability and eliminated knee obstruction. And these best-sellers remain several steps ahead of the pack.

All keyboard systems are available to ship within 72 hours.

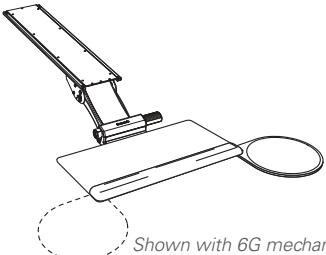
White 6G System

	Std 6GW/8.5"	6GW 900 90H G	\$578
		6GW 950 90H G	\$578
	Std 6GW/10"	6GW 900 91H G	\$578
		6GW 950 91H G	\$578
	<ul style="list-style-type: none"> • Standard White 6GW Mechanism • White 900 or 950 Platform • White High Clip Mouse* (8.5" or 10" Mousing Surface) • Gray Gel Mouse Pad • Gray Synthetic Leather Gel Palm Support 		

Clip Mouse System

 <p><i>Shown with 2G mechanism</i></p>	8.5"/Gel	6G 900 90H G	\$578
	10"/Gel		
	8.5"/Foam	6G 900 90H F	\$556
	10"/Foam		
	<ul style="list-style-type: none"> • 6G Mechanism • Standard 900 Platform • High Clip Mouse (8.5" or 10" Mousing Surface) • Synthetic Leather Palm Support (Gel or Foam) • Standard Black color scheme 		6G 900 91H G
		6G 900 91H F	\$556

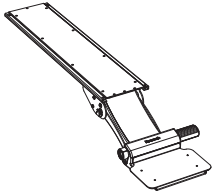
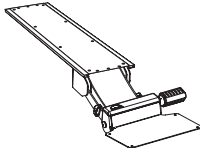
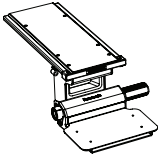
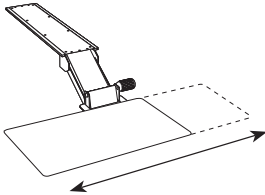
Swivel Mouse System

 <p><i>Shown with 6G mechanism</i></p>	Right/Gel	6G 900 11R G	\$552
	Dual/Gel		
	Right/Foam	6G 900 11R F	\$529
	Dual/Foam		
	<ul style="list-style-type: none"> • 6G Mechanism • Standard 900 Platform • 8" Swivel Mouse (Right or Dual) • Synthetic Leather Palm Support (Gel or Foam) • Standard Black color scheme 		6G 900 11D G
		6G 900 11D F	\$590

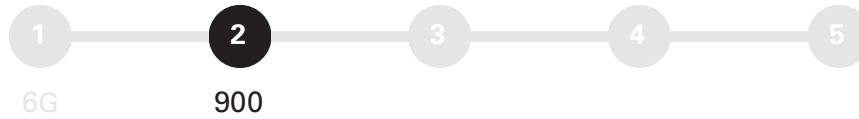
Build Your Keyboard System Product Code



STEP 1: MECHANISM OPTIONS

	<p>6G (Black), 6GW (White) \$318</p> <p>Humanscale's most advanced keyboard mechanism to date, the 6G provides intuitive ergonomic adjustability and unmatched styling.</p> <p>7" height adjustment (1.75" above track to 5.25" below track) Comes standard with 21.625" track</p>		<p>5GSM (Black), 5GSV (Platinum) \$336</p> <p>The 5G Short Mechanism provides 5G functionality with a shorter arm for small workstations and tight spaces.</p> <p>4" height adjustment (0.5" above track to 3.5" below track) Comes standard with 18" track</p>
	<p>6FB (Black), 6FW (White) \$214</p> <p>Designed exclusively for the Float, the 6F incorporates simple dial-a-tilt adjustability and modern styling ideal for all height-adjustable tables.</p> <p>No height adjustment Only for use with height-adjustable tables</p>		<p>LS \$105</p> <p>The Lateral Slider allows the platform to be adjusted left or right a total of 8" for optimal keyboard positioning. It can be ordered with any keyboard mechanism by indicating "LS" after the mechanism code (e.g., 6GLS or 6GWLS).</p>

Build Your Keyboard System Product Code (cont.)



STEP 2: KEYBOARD PLATFORM OPTIONS	CODE	Description	List Price
<p>19" 10.625"</p>	900	Standard Available in White with 6GW. Available in Platinum with 5GV or 5GSV.	\$123
<p>27" 10.625"</p>	500	Big Comes with built-in mousing surface. Not available with other mouse platform options. Available in White with 6GW. Available in Platinum with 5GV or 5GSV. If selected with 6FB or 6FW, then 14" track must be used.	\$185
<p>19" 8.4"</p>	950	Standard Compact Available in White with 6GW. Available in Platinum with 5GV or 5GSV.	\$123
<p>25" 10.625"</p>	550	Big Compact Comes with built-in mousing surface. Not available with other mouse platform options. Available in White with 6GW. Available in Platinum with 5GV or 5GSV. If selected with 6FB or 6FW, then 14" track must be used.	\$185
<p>25" 9"</p>	259	Float Board Comes with built-in mousing surface. Not available with other mouse platform options. Must be used with 12.5" track.	\$159

Build Your Keyboard System Product Code (cont.)



STEP 2: KEYBOARD PLATFORM OPTIONS	CODE	Description	List Price
	400	Diagonal Big Comes with built-in mousing surface. Not available with other mouse platform options.	\$185
	100	Combo	\$123

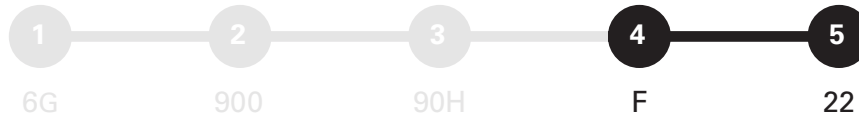
Build Your Keyboard System Product Code (cont.)



STEP 3: MOUSE PLATFORM OPTIONS

	CODE	DESCRIPTION	PRICE
	90	8.5" Clip	\$88
	90H	8.5" High Clip	\$88
<i>Available in White with 6GW. Available in Platinum with 5GV or 5GSV.</i>			
	91	10" Clip	\$88
	91H	10" High Clip	\$88
<i>Available in White with 6GW. Available in Platinum with 5GV or 5GSV.</i>			
	11R	8" Swivel Right	\$61
	11L	8" Swivel Left	\$61
	11D	8" Swivel Dual	\$122
<i>Available in White with 6GW. Not available with 5GV, or 5GSV.</i>			
	12R	10" Swivel Right	\$61
	12L	10" Swivel Left	\$61
	12D	10" Swivel Dual	\$122
<i>Available in White with 6GW. Not available with 5GV, or 5GSV.</i>			
	81R	M2 Right	\$61
	81L	M2 Left	\$61
	81D	M2 Dual	\$122
<i>Not available in White with 6GW. Not available with 5GV, or 5GSV.</i>			

Build Your Keyboard System Product Code (cont.)



STEP 4: PALM SUPPORT OPTIONS

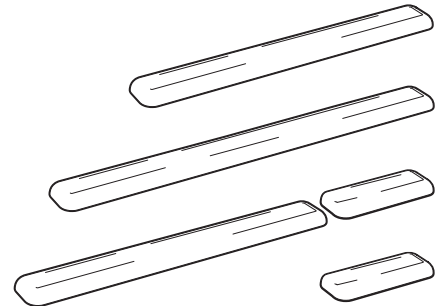
CODE	DESCRIPTION	COLOR	PRICE
F	19" Foam with synthetic leather cover	B/G	\$27
G	19" Gel with synthetic leather cover	B/G	\$49
S	19" Slim palm support	B/G	\$49
F20	20" Foam with synthetic leather cover	B	\$27
G20	20" Gel with synthetic leather cover	B/G	\$49
F27	27" Foam with synthetic leather cover	B	\$33
G27	27" Gel with synthetic leather cover	B	\$57
FMP	20" and 7" Foam with synthetic leather cover	B	\$42
GMP	20" and 7" Gel with synthetic leather cover	B	\$70
SMP27	19" and 7" Slim palm support	B/G	\$70
F25	25" Foam with synthetic leather cover	B	\$33
G25	25" Gel with synthetic leather cover	B	\$56
SMP25	19" and 5" Slim palm support	B/G	\$68
MP7F	7" Foam with synthetic leather cover	B	\$18
MP7G	7" Gel with synthetic leather cover	B/G	\$22
SMP7	7" Slim palm support	B/G	\$22
SMP5	5" Slim palm support	B/G	\$20

For 400 and 500 boards only

For 550 boards only

All Build-Your-Own palm supports are available in Black only, unless otherwise noted.

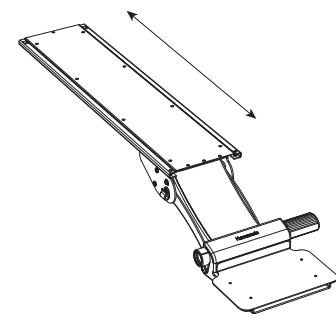
*B = Black
G = Gray*



STEP 5: TRACK OPTIONS



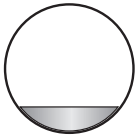
CODE	DESCRIPTION	PRICE
27	27" Track	N/C
25	25" Track	N/C
22	Standard 21.625" Track	N/C
18	18" Track	N/C
16	16" Track	N/C
14	14" Track	N/C
12	12.5" Track for 259 board only	N/C
11	11" Track	N/C
Replacement Tracks with Hardware Pack (if ordering without mechanism)		
RT27.	27" Track	\$74
RT25.	25" Track	\$68
RT22.	Standard 21.625" Track	\$54
RT18.	18" Track	\$54
RT16.	16" Track	\$54
RT14.	14" Track	\$54
RT12.	12.5" Track	\$54
RT11.	11" Track	\$54

All keyboard systems ship with track lengths noted on page 69 unless a different track length is specified. Please use these codes to order a specific track for your system.



Keyboard System Accessories

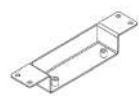
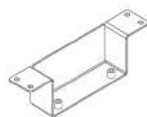

MOUSE PLATFORM OPTIONS

  	HSMP12TIPS \$7 8" Ergo Tips Mouse Pad For 8" – 8.5" mouse platforms
	HSMP12TIPS10 \$8 9" Ergo Tips Mouse Pad For 10" mouse platforms
	CMPGEL8 \$33 8.5" Gel Mouse Pad - Black
	CMPGEL8SLV \$33 8.5" Gel Mouse Pad - Silver For 90 or 90H Clip Mouse
	CMPGEL \$33 10" Gel Mouse Pad - Black
	CMPGELSLV \$33 10" Gel Mouse Pad - Silver For 91 or 91H Clip Mouse
	MPGEL8 \$26 8.5" Gel Mouse Pad
	MPGEL10 \$33 10" Gel Mouse Pad

CORNER SLEEVES

	DE100 \$162 29.5" x 12.188" Fits desks 1" to 1.5" thick
	DE200/DE250 \$102 16" diameter DE200 fits desks 1" to 1.5" thick DE250 fits desks 1.5" to 2.5" thick
	DE400 \$264 38.5" x 13.75" DE400 fits desks 1" to 1.5" thick

KEYBOARD SPACERS

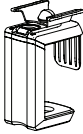
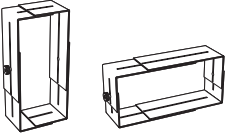
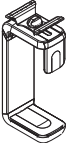

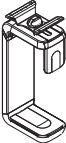

	SPACERSM \$32 1.25" Spacer
	SPACERMD \$41 2.25" Spacer
	SPACERLG \$131 3" Spacer




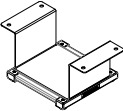
Build Your CPU Product Code

Sample Product Code - CPU20011


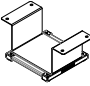
CPU HOLDERS

	CPU200 (Black)	\$201
	CPU200W (White)	\$201
	CPU200 IND* (Black)	\$209
	CPU200W IND* (White)	\$209
Fits CPUs 1" to 5" wide by 6" to 12" high Max CPU Weight: 15 lbs. Installed Dimensions: 6.7" Width, CPU Height + 3.8"		
* Select if ordering more than one CPU holder, and require individually packaged products		
	CPU300	\$190
	Fits CPUs 3.25" to 9" wide by 10.5" to 18" high Max CPU Weight: 70 lbs. Installed Dimensions: CPU Width + 1.5", CPU Height + 3"	
	CPU450	\$175
	Fits CPUs 4" to 8" wide by 11.5" to 20" high Max CPU Weight: 50 lbs. Installed Dimensions: CPU Width + 2.5", CPU Height + 3.75"	
	CPU600 (Black)	\$201
	CPU600W (White)	\$201
	CPU600 IND* (Black)	\$232
	CPU600W IND* (White)	\$232
Fits CPUs 3.5" to 9" wide by 12" to 20" high Max CPU Weight: 50 lbs. Installed Dimensions: 7" or CPU Width + 1.7" (whichever is greater), CPU Height + 3.6"		
* Select if ordering more than one CPU holder, and require individually packaged products		
	TCH - CROSSBEAM	\$160
	TCH - UNDERDESK	\$160
Thin Client Holder accommodates 1"-2" thickness. Height: 2.3"-3.3" (58-84mm) Width: 5.5" (140mm) Depth: 4.8" (122mm) Weight Capacity: 5 lbs (2.27 kg)		

CPU MOUNTS

	11	11" Track	N/C
	16	16" Track	N/C
	22	22" Track	N/C
	STK14	Swivel Track Upgrade Kit for CPU450	\$42
FCBS (Silver) Float CPU Bracket N/C			
FCBW (White) Float CPU Bracket N/C			
FCBB (Black) Float CPU Bracket N/C			

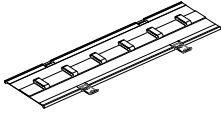
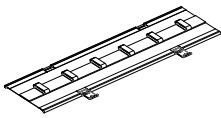
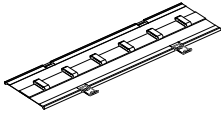
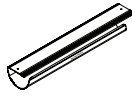
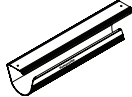
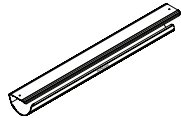

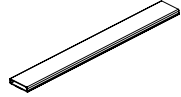
CPU HOLDERS & REPLACEMENT PARTS




CPU ACCESSORIES		
	CPU555STOOL	\$34
Replacement Tool Kit for CPU555SEC (comes standard with CPU555SEC)		
	CPU555SECKIT	\$63
Retrofit Security Kit for CPU555 (comes standard with CPU555SEC)		
REPLACEMENT TRACKS WITH HARDWARE		
	11RT	11" Track \$55
	16RT	16" Track \$55
	22RT	22" Track \$55
	STK14	Swivel Track Upgrade Kit for CPU450 \$42
REPLACEMENT BRACKET WITH HARDWARE		
	FCBS Float CPU Bracket (Silver)	\$76
	FCBW Float CPU Bracket (White)	\$76
	FCBB Float CPU Bracket (Black)	\$76



Ergonomic Accessories

CABLE MANAGEMENT

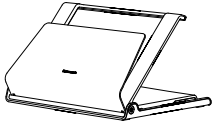
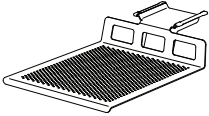
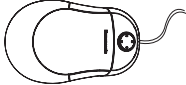
NEATTECH — MINI		\$197
	NTMGG (Pinstripe Graphite Basket / Gray trim)	
	NTMBB (Catena Black Basket / Black Trim)	
	NTMPG (Catena Poppy Seed Basket / Gray Trim)	
	24" L x 4.5" D x 4" W	
NEATTECH — SMALL		\$211
	NTSGG (Pinstripe Graphite Basket / Gray trim)	
	NTSBB (Catena Black Basket / Black Trim)	
	NTSPG (Catena Poppy Seed Basket / Gray Trim)	
	38" L x 4.5" D x 4" W	
NEATTECH — LARGE		\$225
	NTLGG (Pinstripe Graphite Basket / Gray trim)	
	NTLBB (Catena Black Basket / Black Trim)	
	NTLPG (Catena Poppy Seed Basket / Gray Trim)	
	48" L x 4.5" D x 4" W	
NEATLINKS — SMALL 17"		\$26
	NL17SB (Black)	
	NL17SG (Gray)	
	Small 2.6" Diameter, 17" Length	
NEATLINKS — LARGE 17"		\$28
	NL17LB (Black)	
	NL17LG (Gray)	
	Large 3.6" Diameter, 17" Length	
NEATLINKS — SMALL 24"		\$28
	NL24SB (Black)	
	NL24SG (Gray)	
	Small 2.6" Diameter, 24" Length	
NEATLINKS — LARGE 24"		\$31
	NL24LB (Black)	
	NL24LG (Gray)	
	Large 3.6" Diameter, 24" Length	
NEATLINKS SLIM		\$34
	NLSSW (White)	
	NLSSB (Black)	
	NLSSG (Gray)	
	2.75" Diameter, 20.6" Length	

NEATUP for FLOAT		\$425
	NUNAFW (White Finish)	
	NUNAFB (Black Finish)	
	NUNAFG (Gray Finish)	
NEATUP for eFLOAT LITE		\$425
	NUNAEW (White Finish)	
	NUNAEB (Black Finish)	
	NUNAELG (Gray Finish)	
NEATUP for eFLOAT FLEX		\$425
	NUNAEFW (White Finish)	
	NUNAEFB (Black Finish)	
	NUNAEFG (Gray Finish)	

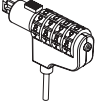



Ergonomic Accessories

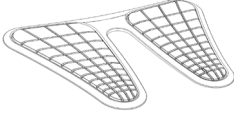
LAPTOP HOLDERS & ACCESSORIES

Notebook Manager		
	L6	\$197
	Maximum Dimensions: 13.5" W x 10.9" D x 10.1" H 7.3" height adjustability (Accommodates notebook computers at least 10" wide and 6" deep, and up to 1.5" thick)	
Tech Tray		
	TT	\$133
	12" W x 14" D Comes standard with 22" track. Sits 3.5" below track.	
Switch Mouse		
	SMUSB	\$154
	Switch Mouse with USB connector, optical sensor and navigation dish	

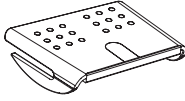


SECURITY LOCK

Security Lock		
	SECLOCK	\$38
	For CPUs, laptops, flat panels, etc. Combination lock with 3' cord. Fits all units with standard security keyhole	
Keyed Security Lock		
	TT1	\$38
	For CPUs, laptops, flat panels, etc. Keyed lock with 2' cord. Fits all units with standard security keyhole	


FLOOR MAT

Monarch Floor Mat		
	MONARCH-G (Grey)	\$500
	MONARCH-B (Black)*	\$500
	20" H x 29" W x 0.8" D	

FOOT ROCKERS

Foot Rocker 500		
	FR500C (Cherry)	\$195
	FR500K (Black)	\$195
	12.25" D x 16.75" W x 4.5" H	
Foot Rocker 300		
	FR300 (Natural)	\$173
	11.875" D x 16" W Height Range: 3.75" to 6.75"	
Foot Rocker 100		
	FR100 (Natural)	\$161
	11.75" D x 19" W x 3.375" H	

IN-LINE DOCUMENT HOLDERS

Copy Stand Basic		
	CH900 (Putty)	\$139
	11" D x 14" W x 3" H For use with flat panel monitors	

